

solar_{edge}

SolarEdge Home Load Controller

for inverters with SetApp configuration

For ROW and EU

V 1.2

Quick Installation Guide



[Datasheet](#)



[Training](#)



[Application Note](#)

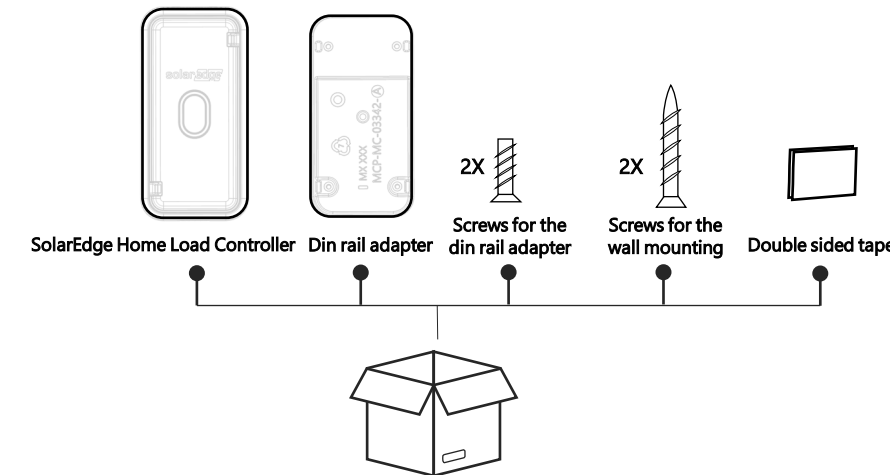
Additional information



Safety Information

- For indoor use only
- Keep children away from the device
- DO NOT use with medical or life support equipment
- DO NOT use in wet or damp area
- DO NOT clean with liquid
- Test the device locally for safe operation before attempting to control it remotely
- Use Copper conductors only
- Installation in a closed metal enclosure degrades wireless performance and must be avoided

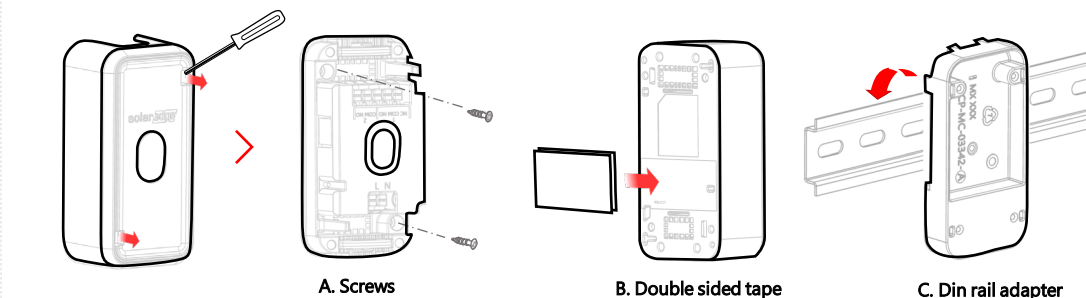
What's in the package



1

Mounting options

Choose one of 3 options displayed below



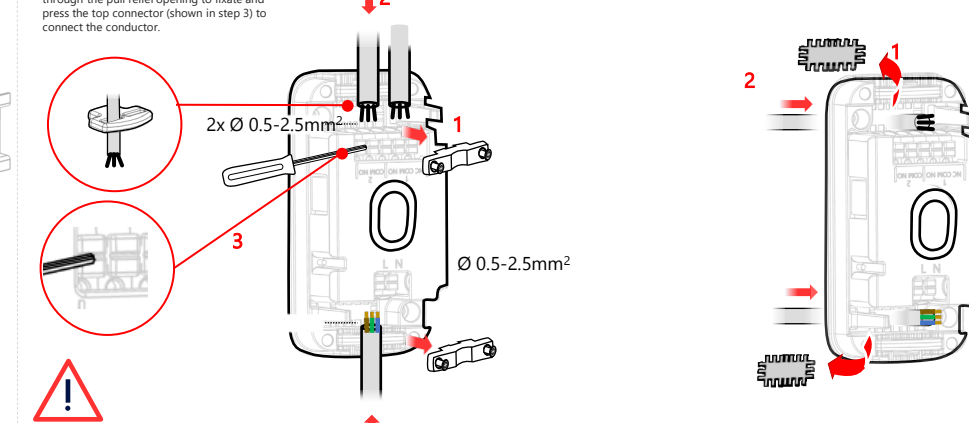
IMPORTANT:
Installation is allowed at up to 2000 meters of altitude

2

Cabling

Use the supplied cable rubbers to fixate cable with diameter of up to $\varnothing 4$ mm. Pull the cable through the pull relief opening to fixate and press the top connector (shown in step 3) to connect the conductor.

Choose one of two options displayed below

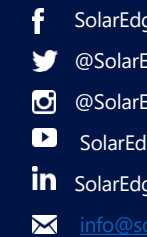


ELECTRICAL SHOCK HAZARD
GEFAHR VON STROMSCHLÄGEN
ELEKTRISCH SCHOKGEVAAR
RISQUE DE CHOC ÉLECTRIQUE
PERICOLO DI SCOSSE ELETTRICHE
PELIGRO DE DESCARGA ELÉCTRICA

B. Insert cables from behind

About SolarEdge

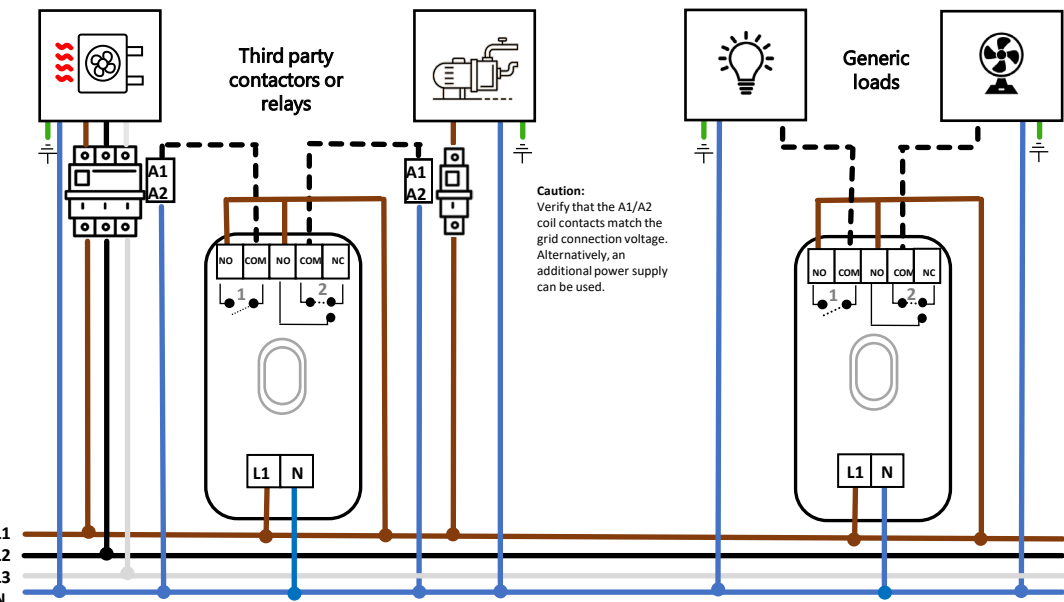
SolarEdge is a global leader in smart energy technology. By deploying world-class engineering capabilities and a relentless focus on innovation, we create smart energy products and solutions that power our lives and drive future progress.



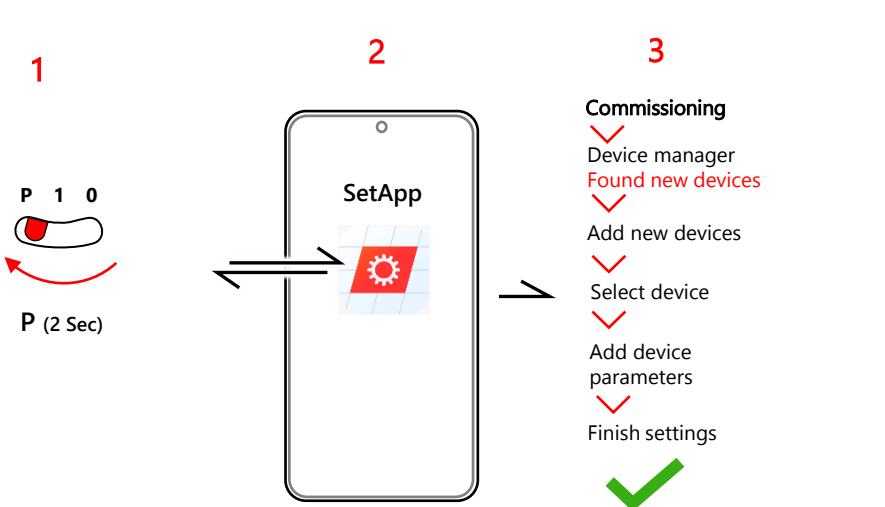
SolarEdge
@SolarEdgePV
@SolarEdgePV
SolarEdgePV
SolarEdge
info@solaredge.com

solaredge.com
© SolarEdge Technologies, Ltd.
All rights reserved.
Version: 1.2, January 2023
Subject to change without notice.

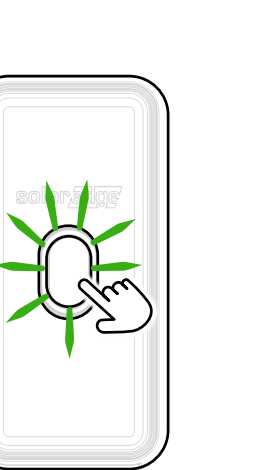
3 Wiring



4 Pair with inverter



5 LED indications



Button Operation

- Press for <3 seconds to operate manually
- Hold >10 seconds to reset

LED Indications

- Blinking Blue** – scanning for a network or connection with Home Network is lost & load off
- Blinking Green** – scanning for a network or connection with Home Network is lost & load on
- Blinking Blue 30 seconds** – received request of identification
- Blue** – connected to Home Network & load off
- Green** – connected to Home Network & load on
- Blinking Red** – error
- Flickering Blue** – standby
- Flickering Green 5 times** – reset done

Specifications

AC voltage	90 ~ 250 Vac
AC frequency	50/60 Hz
Normally open (NO) contact specifications	250Vac up to 8Aac 30Vdc up to 8Adc
Normally closed (NC) contact specifications	250Vac up to 4Aac 30Vdc up to 4Adc
Relay switching cycles	> 20,000
Operating hours	50,000hr
Installation altitude	2000m

System Requirements

- Inverter with SolarEdge Home Network connection and CPU ≥4.18.xx
- SolarEdge SetApp: smartphone application for connection to the inverter and firmware upgrade
- MySolarEdge: smartphone application for configuration and status reading
- iOS 10 or later or Android 6.0.1 or later



Discard this product according to local regulations or send it back to SolarEdge.

Entsorgen Sie dieses Produkt entsprechend den örtlichen Vorschriften oder senden Sie es zurück an SolarEdge.

Verwijder dit product in overeenstemming met de lokale regelgeving of stuur het terug naar SolarEdge.

Mette ce produit au rebut conformément à la réglementation en vigueur ou renvoyer celui-ci à SolarEdge.

Smaltire questo prodotto in conformità alle normative locali o restituirlo a SolarEdge.

Desechete este producto según las normativas locales o devuélvalo a SolarEdge.

Support Contact Information

If you have technical problems concerning SolarEdge products, please contact us: <https://www.solaredge.com/service/support>
Subject to change without notice.
Copyright © SolarEdge Inc.
All rights reserved. December 2022.