

solar_{edge}

SolarEdge Home

Load Controller

for inverters with SetApp configuration

For NAM

V 1.2

EN Quick Installation Guide

FR Guide d'installation rapide

SP Guía de Instalación Rápida

EN Additional Information



[Datasheet](#)



[Training](#)



[Application Note](#)

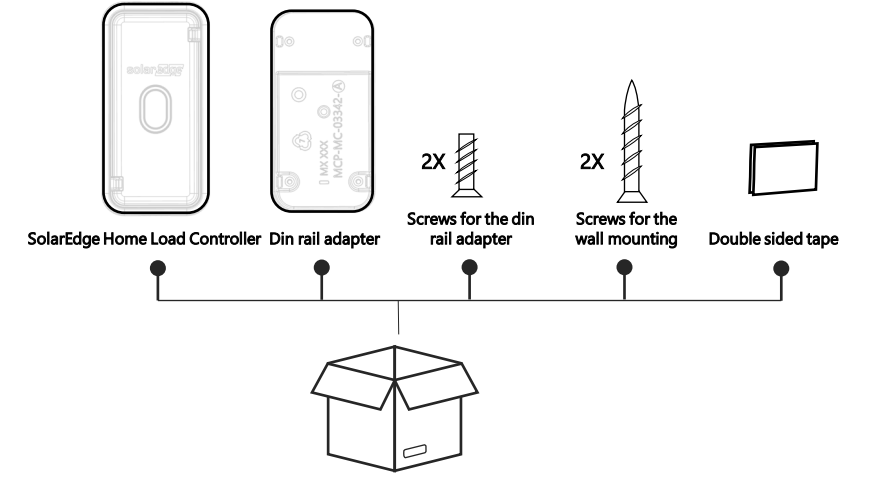
FR Information additionnelle

SP Información adicional

EN What's in the package

FR Contenu du package

SP Qué hay en el paquete



Safety Information

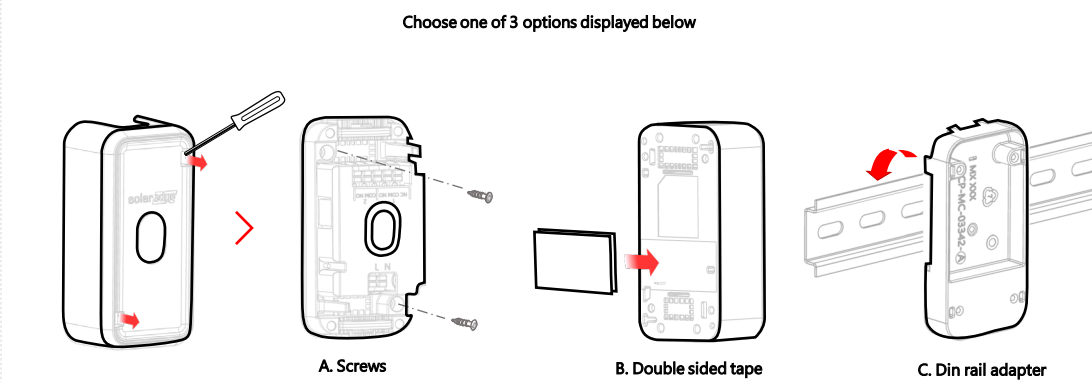
- For indoor use only
- Keep children away from the device
- DO NOT use with medical or life support equipment
- DO NOT use in wet or damp area
- DO NOT clean with liquid
- Test the device locally for safe operation before attempting to control it remotely
- Use Copper conductors only
- Installation in a closed metal enclosure degrades wireless performance and must be avoided

1

EN Mounting options

FR Options de montage

SP Opciones de montaje



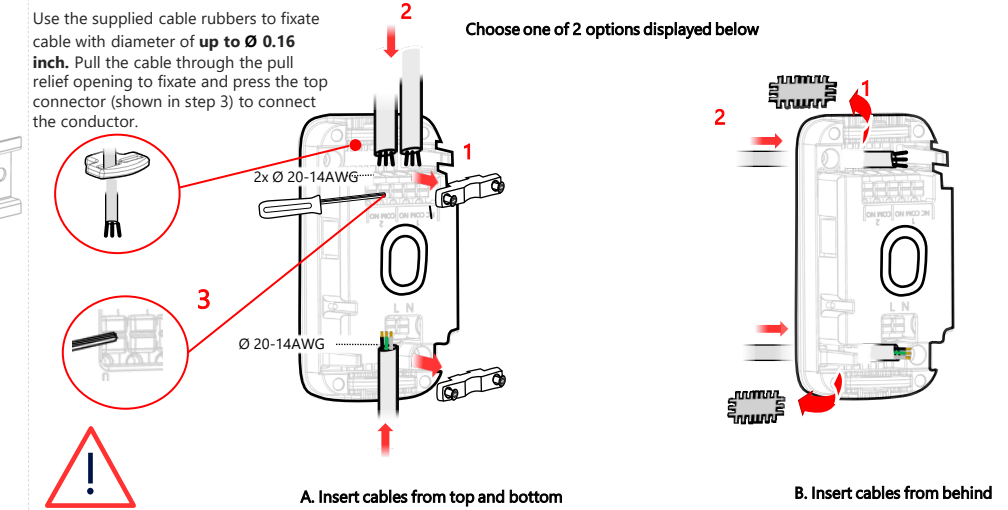
IMPORTANT:
Installation is allowed at up to 2000 meters of altitude

2

EN Cabling

FR Câblage

SP Cableado



**! ELECTRICAL SHOCK HAZARD
RISQUE DE CHOC ÉLECTRIQUE
PELIGRO DE DESCARGA ELÉCTRICA**

About SolarEdge

SolarEdge is a global leader in smart energy technology. By deploying world-class engineering capabilities and a relentless focus on innovation, we create smart energy products and solutions that power our lives and drive future progress.



SolarEdge



@SolarEdgePV



@SolarEdgePV



SolarEdgePV



SolarEdge



info@solaredge.com

solaredge.com

© SolarEdge Technologies, Ltd.
All rights reserved.

Version: 1.2, January 2023

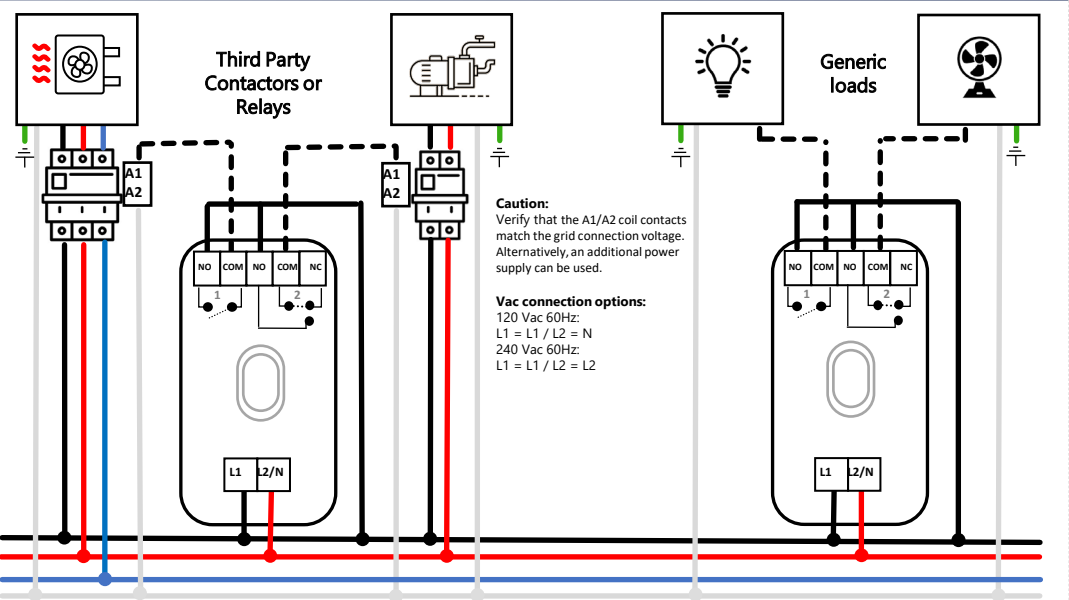
Subject to change without notice.

3

EN Wiring

FR Câblage

SP Cableado

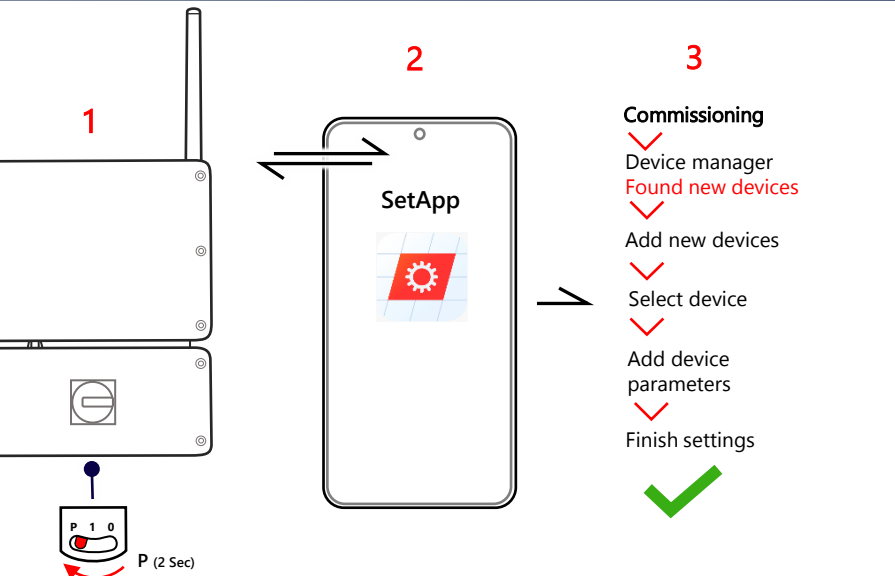


4

EN Pair with inverter

FR Jumeler avec onduleur

SP Conectar con el inversor



3

Commissioning



Device manager



Found new devices



Add new devices



Select device



Add device parameters



Finish settings

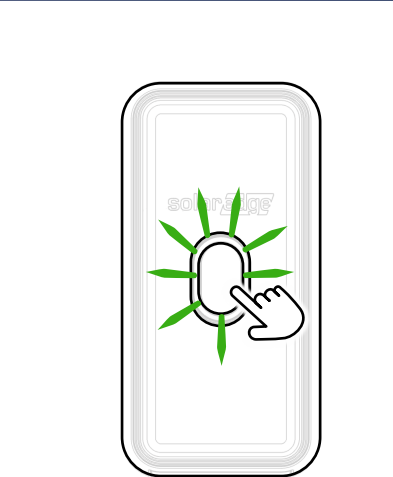


5

EN LED indications

FR Signification des voyants

SP Indicaciones LED



Button Operation

- Press for <3 seconds to operate manually
- Hold >10 seconds to reset

LED Indications

- Blinking Blue** – connecting
- Green** – connected & load on
- Blue** – connected & load off
- Red** – error
- Flickering Blue** – standby
- Blinking Green** – not connected & load on
- Flickering Green 5 times** – reset done

EN Specifications

FR Caractéristiques techniques

SP Características técnicas

AC voltage	90 ~ 250 Vac
AC frequency	60 Hz
Normally open (NO) contact specifications	250Vac up to 8Aac 30Vdc up to 8Adc
Normally closed (NC) contact specifications	250Vac up to 4Aac 30Vdc up to 4Adc
Relay switching cycles	> 20,000
Operating hours	50,000hr
Installation altitude	2000m

System Requirements

- Inverter with SolarEdge Home Network connection and CPU ≥4.18.xx
- SolarEdge SetApp: smartphone application for connection to the inverter and firmware upgrade
- MySolarEdge: smartphone application for configuration and status reading
- iOS 10 or later or Android 6.0.1 or later

Installation Placement Requirements

The load controller is used for indoor installation and must be wall or cabinet mounted for normal operation.

Compliance Statement

This device complies with Part 15 of the FCC Rules. Operation is subject to the following two conditions: (1) this device may not cause harmful interference, and (2) this device must accept any interference received, including interference that may cause undesired operation. To assure continued FCC compliance: 1. Any changes or modifications not expressly approved by the grantee of this device could void the user's authority to operate the equipment. 2. This equipment complies with FCC radiation exposure limits set forth for an uncontrolled environment. This equipment should be installed and operated with minimum distance 20cm between the radiator & your body. IC This device complies with Industry Canada license-exempt RSS standard(s). Operation is subject to the following two conditions: (1) this device may not cause interference, and (2) this device must accept any interference, including interference that may cause undesired operation of the device. This equipment complies with IC radiation exposure limits set forth for an uncontrolled environment. This equipment should be installed and operated with minimum distance 20cm between the radiator and your body.

System Requirements

Cet appareil radio est conforme au CNR-247d'Industrie Canada. L'utilisation de ce dispositif est autorisée seulement aux deux conditions suivantes : (1) il ne doit pas produire de brouillage, même si ce brouillage est susceptible de compromettre le fonctionnement du dispositif. Cet équipement est conforme aux limites d'exposition aux rayonnements IC établies pour un environnement non contrôlé. Cet équipement doit être installé et utilisé avec un minimum de 20 cm de distance entre la source de rayonnement et votre corps.

FCC Verification

This equipment has been tested and found to comply with the limits for a Class B digital device, pursuant to Part 15 of the FCC Rules.

protection against harmful interference in a residential installation. This equipment generates, uses and can radiate radio frequency energy and, if not installed and used in accordance with the instructions, may cause harmful interference to radio communications.

However, there is no guarantee that interference will not occur in a particular installation. If this equipment does cause harmful interference to radio or television reception, which can be determined by turning the equipment off and on, the user is encouraged to try to correct the interference by one or more of the following measures: - Reorient or relocate the receiving antenna. - Increase the separation between the equipment and receiver. - Connect the equipment into an outlet on a circuit different from that to which the receiver is connected. - Consult the dealer or an experienced radio/TV technician for help.

CAUTION!

To assure continued FCC compliance: Any changes or modifications not expressly approved by the grantee of this device could void the user's authority to operate the equipment.

Safety Certification

To comply with UL916, a load controller must be installed within a UL50/UL 50E listed enclosure. Discard this product according to local regulations or send it back to SolarEdge. Mettre ce produit au rebut conformément à la réglementation en vigueur ou renvoyer celui-ci à SolarEdge. Deschete este producto según las normativas locales o devuélvalo a SolarEdge.

Support Contact Information

If you have technical problems concerning SolarEdge products, please contact us: <https://www.solaredge.com/service/support> Subject to change without notice. Copyright © SolarEdge Inc. December 2022.