

SolarEdge TerraMax™ Inverter Internal Fan for Long Bracket replacement - Support kit manual

This manual describes the procedure for replacing the SolarEdge TerraMax Inverter Internal Fan for Long Bracket.

Revision history

- Version 1.1, March 2024 – Name changed to TerraMax
- Version 1.0, December 2023 – Initial release

Kit contents

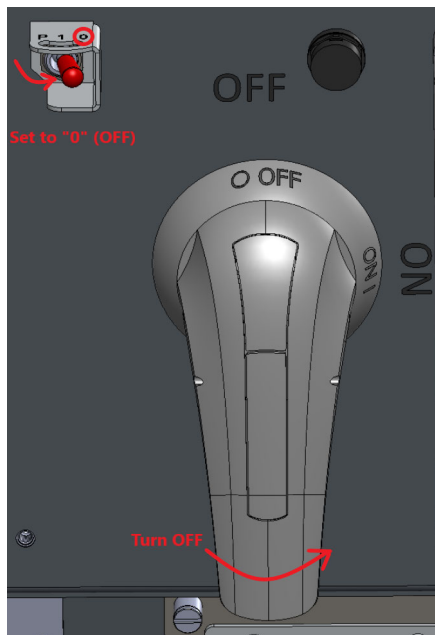
- SolarEdge TerraMax Inverter Internal Fan for Long Bracket PN FLD-3PH-OR-IN-02.

Required tools

- Torque screwdriver
- 5mm hex bit
- Flat screwdriver
- Voltmeter

Before you begin

1. Set the P/1/0 switch to "0" (OFF).
2. Turn the DC ON/OFF switch to the OFF position.



3. To lock the DC Switch, pull the white tab out away from the blue handle and insert a padlock through one of the holes.

4. Lock the padlock.



DC ON/OFF switch safety padlock

5. Disconnect AC power to the inverter by turning OFF the circuit breaker/s in the power distribution panel.
6. Wait at least five minutes for the DC Voltage inside the inverter to drop to a safe level.
7. As an additional safety precaution, lock the power distribution panel.

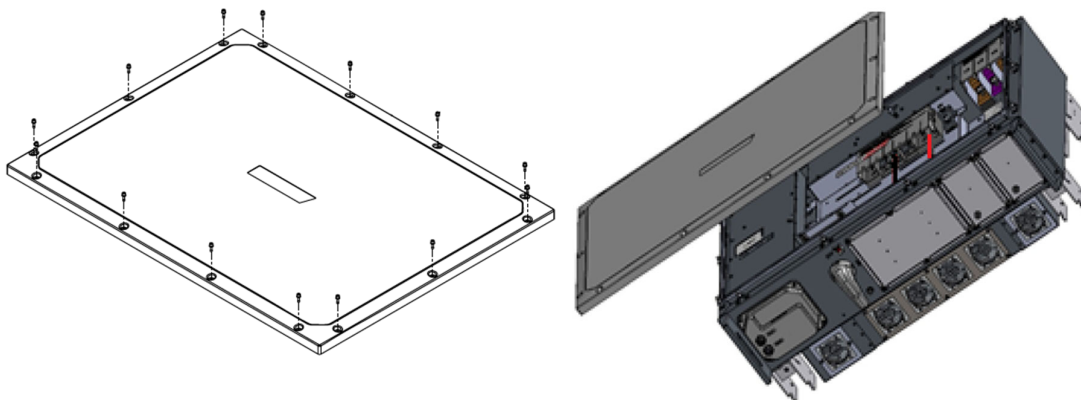
Remove the cover

To remove the cover, use a screwdriver with a 5mm hex bit to release the screws holding the cover in place.



NOTE

The inverter cover assembly is too big for one person to handle safely. SolarEdge recommends that two people remove and handle the cover assembly.



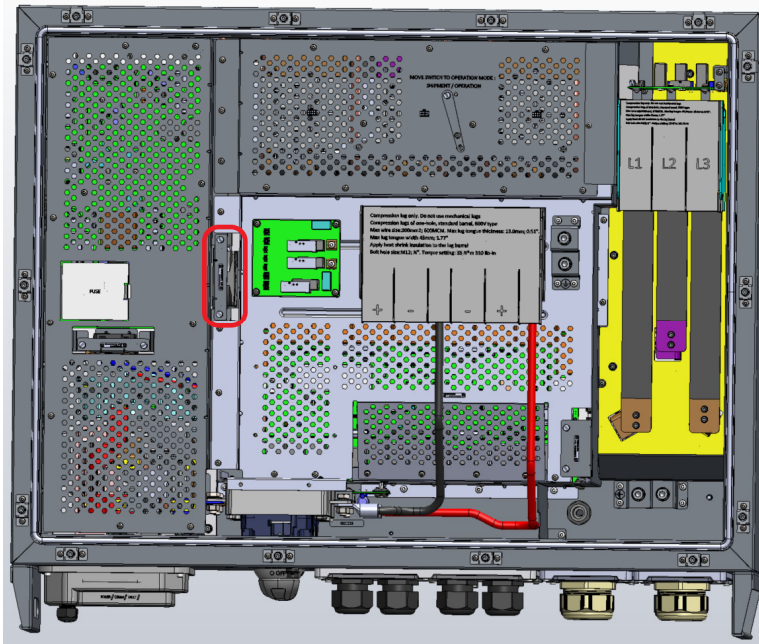
Inverter Cover Assembly

**WARNING!**

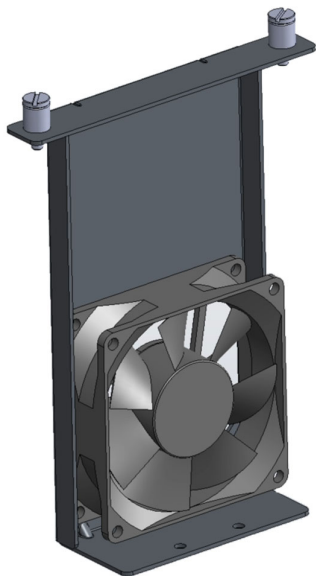
Before doing any maintenance work on the inverter, test for safe AC and DC voltages.

Remove the damaged fan

1. Locate the fan for long bracket.



2. Using a flat screwdriver, loosen the two screws holding the fan.
3. Pull the fan and bracket out of the inverter.

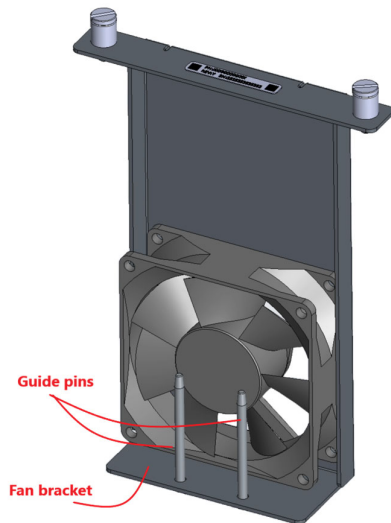


Removing the fan and bracket

4. Disconnect the fan's power cable.

Install the replacement fan

1. Reconnect the fan's power cable. Pull gently on the connector to make sure that it is properly connected.
2. Insert the fan into position.
3. Ensure that the holes at the bottom of the bracket engage with the two guide pins.

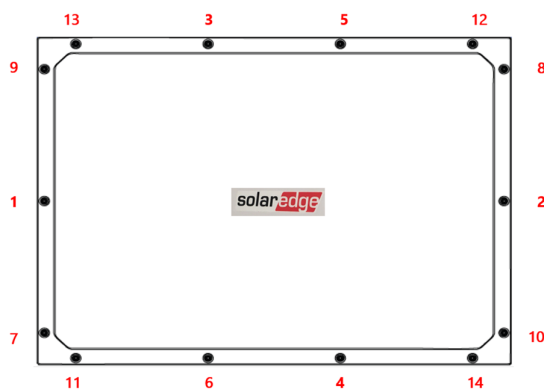


Guide pins

NOTE

When installing the fan and bracket, the bracket must not touch any bus bars.

4. Using a flat screwdriver, tighten the fan assembly screws to a torque of 2.4N·m (21.2lbf·in).
5. Place the cover assembly in position and, using a torque wrench with a 5mm hex bit, tighten the screws to a torque of 3.9N·m (34.5lbf·in).
6. Tighten the screws in the following sequence:



Screw tightening sequence

Turn on the power

1. Unlock the power distribution panel and turn ON the AC circuit breaker/s.
2. Remove the padlock and turn the DC Switch ON.
3. Set the P/1/0 switch to "1" (ON).