

SolarEdge TerraMax™ Inverter external multiple fan replacement - Support kit manual

This manual describes the procedure for replacing the SolarEdge TerraMax Inverter External Multiple Fan.

Revision history

- Version 1.1, March 2024 – Changed name to TerraMax
- Version 1.0, December 2023 – Initial release

Kit contents

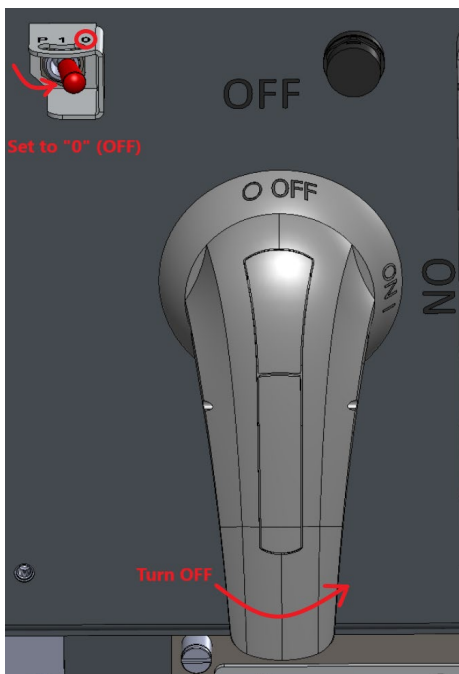
- SolarEdge TerraMax Inverter External Multiple Fan PN FLD-3PH-OR-EX-02.

Required tools and equipment

- Voltmeter
- Flat Screwdriver
- Padlock

Before you begin

1. Set the P/1/0 switch to "0" (OFF).
2. Turn the DC ON/OFF Switch to the OFF position.



3. To lock the DC Switch, pull the white tab out away from the blue handle and insert a padlock through one of the holes.
4. Lock the padlock.



DC ON/OFF switch safety padlock

5. Disconnect AC power to the inverter by turning OFF the circuit breaker in the power distribution panel.
6. Wait at least five minutes for the DC Voltage inside the inverter to drop to a safe level.

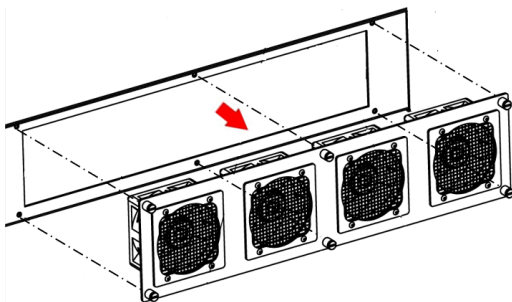
WARNING!

Before doing any maintenance work on the inverter, test for safe AC and DC voltages.

7. As an additional safety precaution, lock the power distribution panel.

Remove the damaged fan

1. Using a flat screwdriver, loosen the screws holding the External Multiple Fan.
2. Remove the External Multiple Fan from the inverter.



Remove the External multiple fan

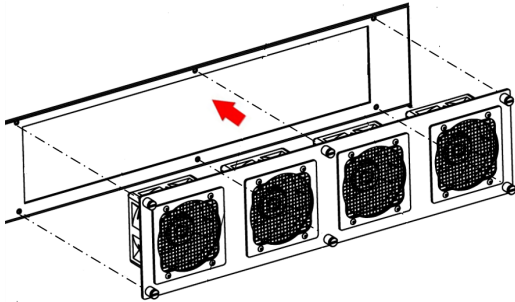
3. Disconnect the four fan power cables.

NOTE

The cable connectors are fitted with locking mechanisms. Make sure to press the lever to release the locking mechanism before disconnecting the connector. Do not pull on the wires to remove the connector from the socket.

Install the replacement fan

1. Connect the four fan connectors to the fan power sockets. Pull gently on each connector to make sure they are properly connected.
2. Insert the new External Multiple Fan into position.



Mounting the new external multiple fan

3. Using a flat screwdriver, tighten the screws to a torque of 1.3N·m (11.5lb·fin).

Turn on the power

1. Unlock the power distribution panel and turn ON the AC circuit breaker/s.
2. Remove the padlock and turn the DC Switch ON.
3. Set the P/1/0 switch to "1" (ON).