

# SolarEdge TerraMax™ Inverter DC Plate support kit – EU and ROW

This manual describes the procedure for replacing the SolarEdge TerraMax Inverter DC Plate.

## Revision History

- Version 1.1, March 2024 – Changed name to TerraMax
- Version 1.0, January 2024 – Initial release

## Kit Contents

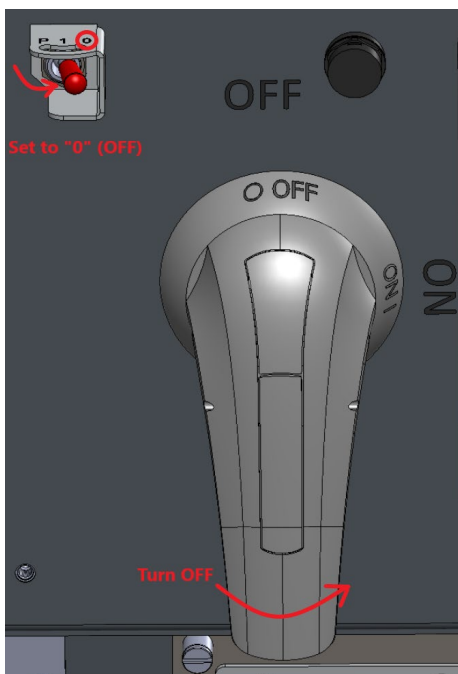
- SolarEdge TerraMax Inverter DC Plate PN FLD-3PH-OR-ROW-DC-PNL

## Required Tools

- Torque screwdriver
- 4mm hex bit
- Voltmeter

## Before you begin

1. Set the P/1/0 switch to "0" (OFF).
2. Turn the DC ON/OFF Switch to the OFF position.



3. To lock the DC Switch, pull the white tab out away from the blue handle and insert a padlock through one of the holes.
4. Lock the padlock.



### DC ON/OFF switch safety padlock

5. Disconnect AC power to the inverter by turning OFF the circuit breaker in the power distribution panel.
6. Wait at least five minutes for the DC Voltage inside the inverter to drop to a safe level.

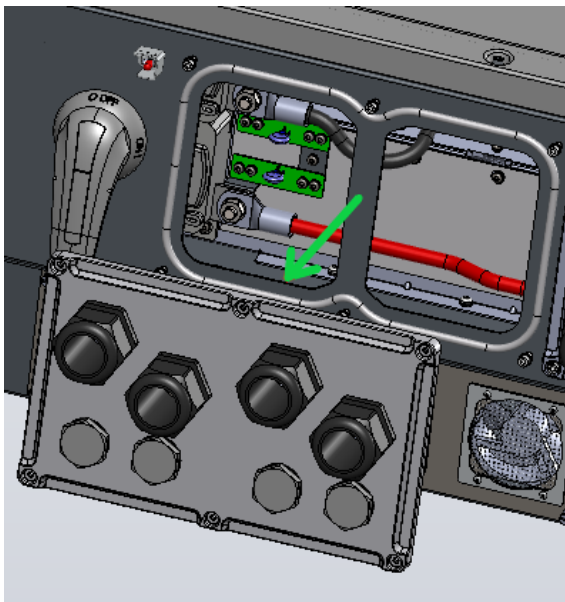
### **WARNING!**

Before doing any maintenance work on the inverter, test for safe AC and DC voltages.

7. As an additional safety precaution, lock the power distribution panel.

## Remove the DC Plate

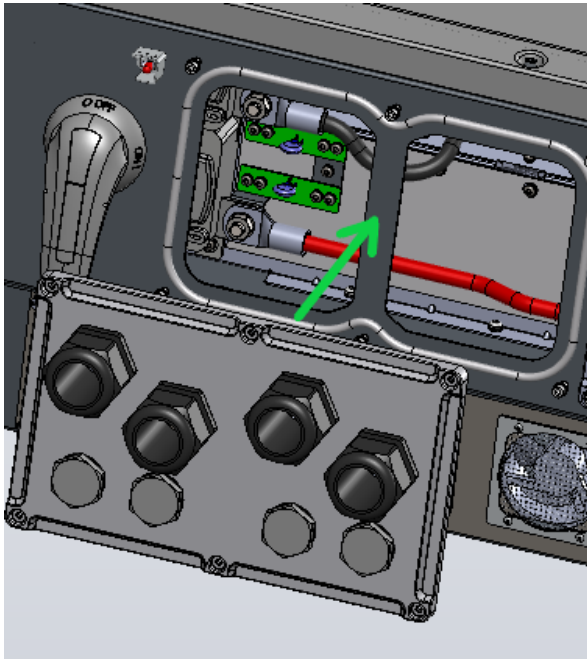
Using a 4mm hex bit, loosen the captive screws holding the DC Plate in place.



### Removing the DC Plate

## Install the new DC Plate

1. Place the new DC Plate into position and, using a 4mm hex bit, tighten the captive screws to a torque of 4.7N·m (41.5lbf·in).



### Attaching the new DC Plate

## Turn on the power

1. Unlock the power distribution panel and turn ON the AC circuit breaker.
2. Remove the padlock and turn the DC Switch ON.
1. Set the P/1/0 switch to "1" (ON).