

SolarEdge TerraMax™ Inverter AC Plate replacement - support kit manual – EU and ROW

This manual describes the procedure for replacing the SolarEdge TerraMax Inverter AC Plate.

Revision History

- Version 1.1, March 2024 – Changed name to TerraMax
- Version 1.0, January 2024 – Initial release

Kit Contents

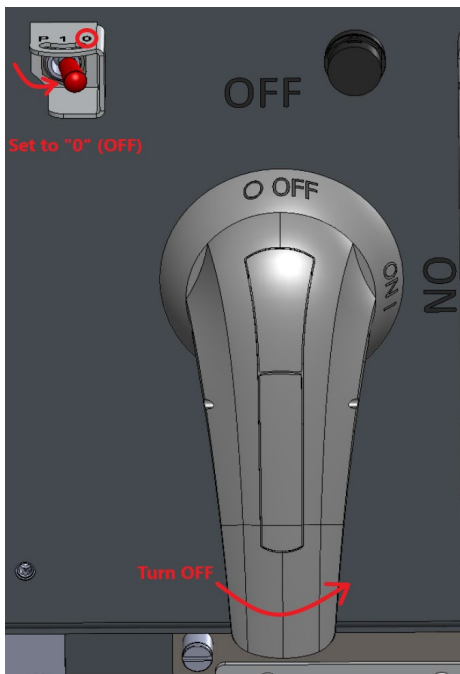
- SolarEdge TerraMax Inverter AC Plate PN FLD-3PH-OR-ROW-AC-PNL.

Required Tools and Equipment

- Torque screwdriver
- 4mm hex bit
- Voltmeter

Before you begin

1. Set the P/1/0 switch to "0" (OFF).
2. Turn the DC ON/OFF Switch to the OFF position.



3. To lock the DC Switch, pull the white tab out away from the blue handle and insert a padlock through one of the holes.
4. Lock the padlock.



DC ON/OFF switch safety padlock

5. Disconnect AC power to the inverter by turning OFF the circuit breaker in the power distribution panel.
6. Wait at least five minutes for the DC Voltage inside the inverter to drop to a safe level.

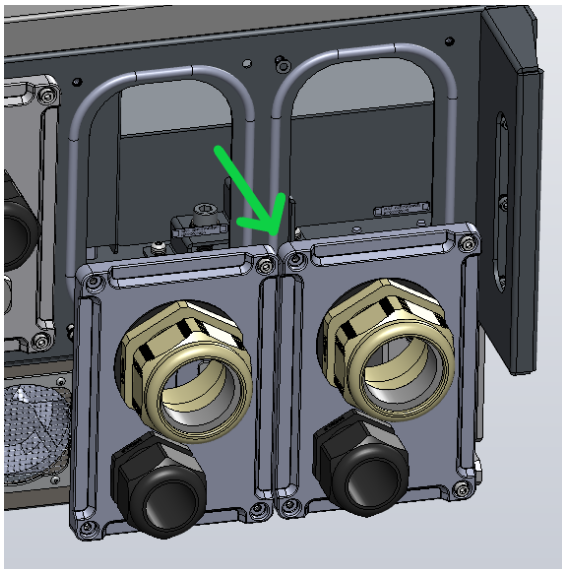
WARNING!

Before doing any maintenance work on the inverter, test for safe AC and DC voltages.

7. As an additional safety precaution, lock the power distribution panel.

Remove the AC Plate

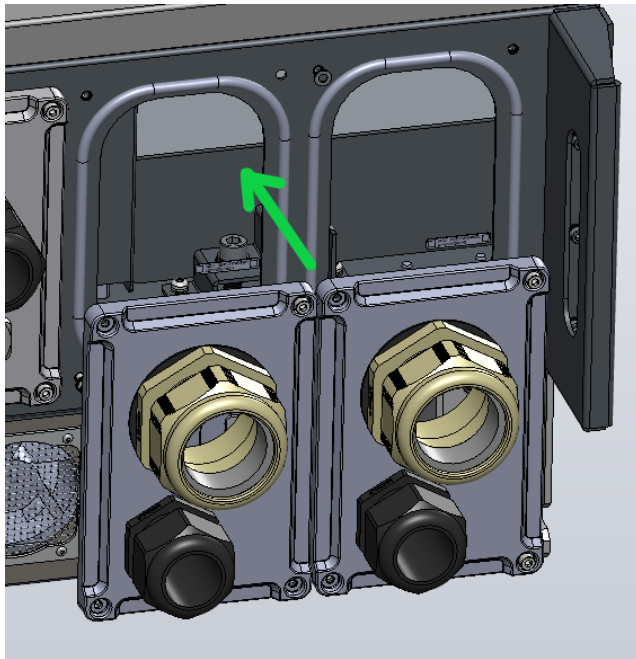
1. Using a 4mm hex bit, loosen the captive screws holding the AC Plate in place.



Removing the AC Plate

Install the new AC Plate

1. Place the new AC Plate into position.



Attach the new AC Plate

1. Using a 4mm hex bit, tighten the screws to a torque of 4.7N·m (41.5lbf·in).

Turn on the power

1. Unlock the power distribution panel and turn ON the AC circuit breaker/s.
2. Remove the padlock and turn the DC Switch ON.
3. Set the P/1/0 switch to "1" (ON).