

SolarEdge TerraMax™ Inverter AC plate replacement - Support kit manual

This manual describes the procedure for replacing the SolarEdge TerraMax Inverter AC Plate.

Revision history

- Version 1.2, July 2024 – Updated name of DC switch and required tools
- Version 1.1, March 2024 – Name changed to TerraMax
- Version 1.0, December 2023 – Initial release

Kit contents

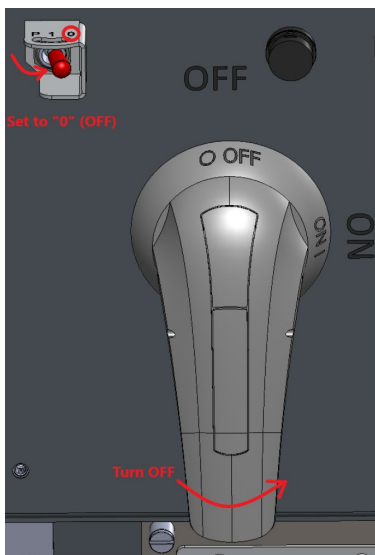
- SolarEdge TerraMax Inverter AC Plate PN: FLD-3PH-OR-NAM-AC-PNL.

Required tools and equipment

- Torque screwdriver
- 4mm hex bit
- Voltmeter

Before you begin

1. Set the P/1/0 switch to "0" (OFF).
2. Turn the DC Disconnect (DCD) switch to the OFF position.



3. To lock the DCD switch, pull the white tab out away from the blue handle and insert a padlock through one of the holes.
4. Lock the padlock.



DCD switch safety padlock

5. Disconnect AC power to the inverter by turning OFF the circuit breaker in the power distribution panel.
6. Wait at least five minutes for the DC Voltage inside the inverter to drop to a safe level.

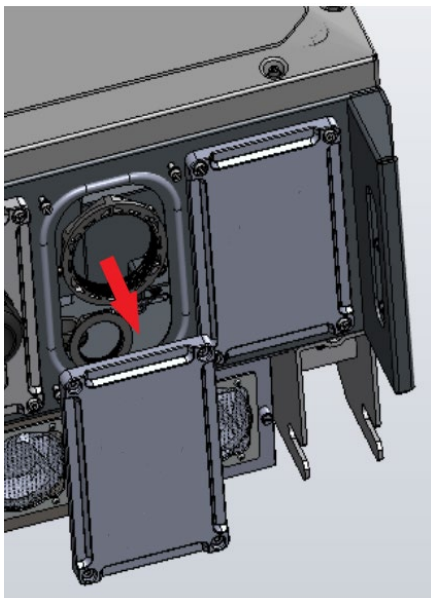
WARNING!

Before doing any maintenance work on the inverter, test for safe AC and DC voltages.

7. As an additional safety precaution, lock the power distribution panel.

Remove the AC plate

1. Using a 4mm hex bit, loosen the captive screws holding the damaged AC Plate in place. You need only to remove the one that is damaged.



Remove the AC Plate

Install the new AC plate

1. Bore out the holes in the new AC Plate according to the size and position required. This procedure is described in the SolarEdge TerraMax Inverter Installation Guide.
2. <https://knowledge-center.solaredge.com/sites/kc/files/se-terramax-inverter-installation-guide-nam.pdf>
3. Attach the cable glands onto the new AC Plate.

 **NOTE**

The cable glands are NOT part of the support kit contents. They are 3rd-party items.

4. Place the AC Plate into position.
5. Using a 4mm hex bit, tighten the screws to a torque of 4.7N·m (41.5lbf·in).

Turn on the power

1. Unlock the power distribution panel and turn ON the AC circuit breaker/s.
2. Remove the padlock and turn the DCD switch ON.
3. Set the P/1/0 switch to "1" (ON).