

# Replacement of Corrugated Conduit in Three Phase Inverter with Synergy Technology

This manual describes how to replace a Corrugated Conduit in Three Phase Inverter with Synergy Technology.

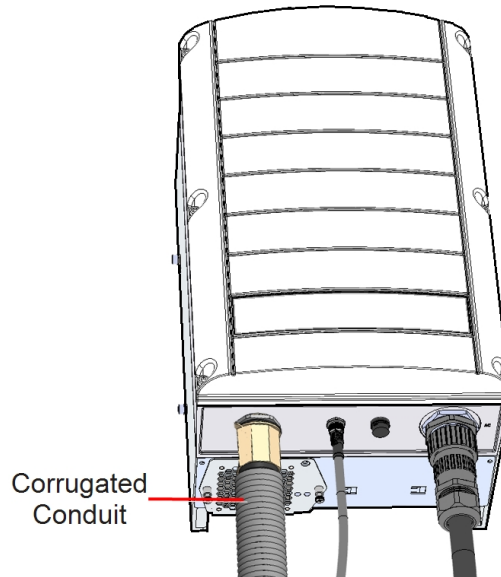


Figure 1: Corrugated Conduit in Three Phase Inverter with Synergy Technology

## Kit Contents

- Corrugated Conduit for right / left Synergy Unit
- Corrugated Conduit for center Synergy Unit

## Required Tools

- 3 mm flat-blade screwdriver

## Removing the Corrugated Conduit

→ To remove the replacement corrugated conduit:

1. Turn the ON/OFF/P Switch of the Synergy Manager to OFF (0). Wait for five minutes for the DC Voltage inside the inverter to drop to a safe level before proceeding to the next step.

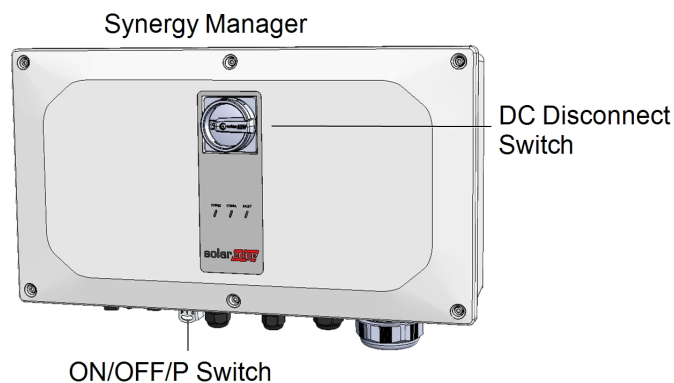


Figure 2: Synergy Manager

2. Turn OFF the DC Disconnect Switch on the Synergy Manager.
3. Disconnect AC to the inverter by turning OFF the circuit breakers on the power distribution panel.
4. Unlock the Corrugated Conduit on the Synergy Unit side (See *Figure 3* - step 1).

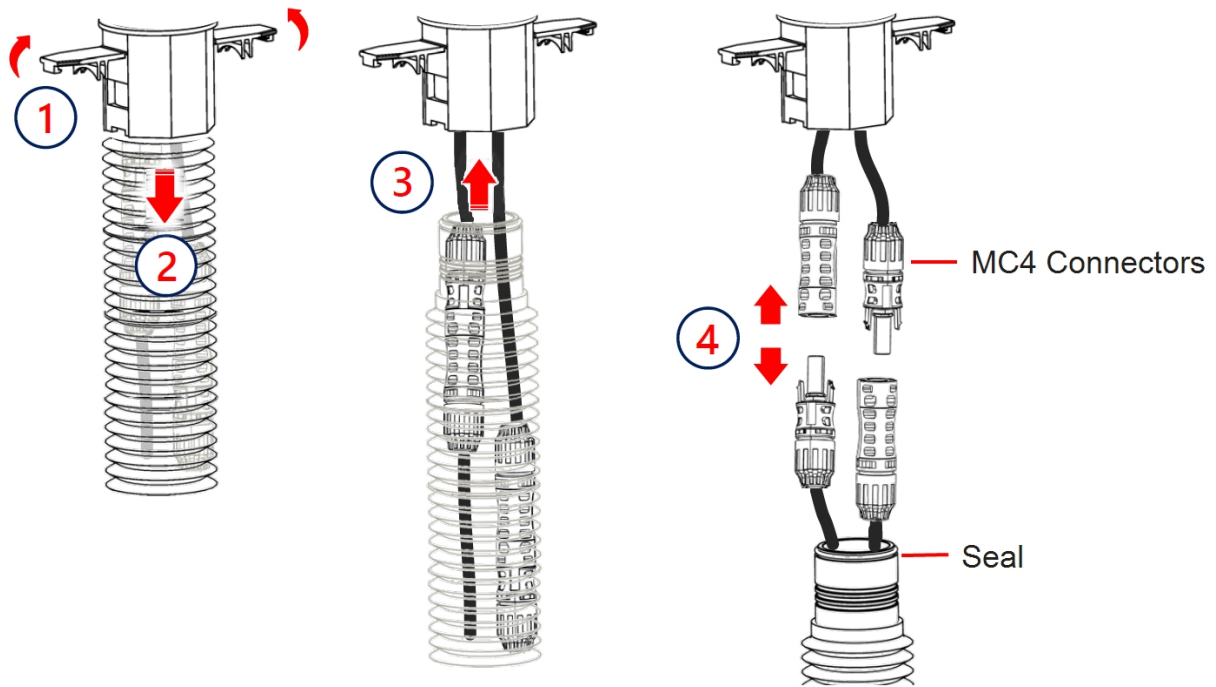


Figure 3: Removal of the Corrugated Conduit

5. Disconnect the Corrugated Conduit from the Synergy Unit (See *Figure 3* - step 2).
6. Separately, pullout each of the MC4 connectors from within the Corrugated Conduit (See *Figure 3* - step 3).
7. Disconnect the MC4 connectors (See *Figure 3* step 4).
8. Unlock Corrugated Conduit from the Synergy Manager side, pullout the wires and remove the Corrugated Conduit.

## Installing the Corrugated Conduit

→ To install the replacement corrugated conduit:

1. Insert each connector of the wires coming out of the Synergy Manager into the Corrugated Conduit and separately pass the wires through the conduit. Pullout each of the MC4 connectors from the other side.
2. Connect and lock the Corrugated Conduit on the Synergy Manager side.



### NOTE

Before connecting the Corrugated Conduit, verify that the seal is in place and correctly seated (See *Figure 3*).

3. Plug the MC4 connectors on the Synergy Unit side and insert each connector back into the conduit (See *Figure 3* - steps 3 and 4).
4. Connect and lock the Corrugated Conduit on the Synergy Unit side.



### NOTE

Before connecting the Corrugated Conduit, verify that the seal is in place and correctly seated (See *Figure 3*).

5. Connect AC to the inverter by turning OFF the circuit breakers on the power distribution panel.
6. Turn ON the DC Disconnect Switch on the Synergy Manager.
7. Turn the ON/OFF/P Switch of the Synergy Manager to ON (1)

## Support Contact Information

If you have technical problem concerning SolarEdge product, please contact us at:

<https://www.solaredge.com/service/support>

<https://www.solaredge.com/us/service/support>

Before contacting, make sure to have the following information at hand:

- Model and serial number of the product in question.
- The error indicated on the product SetApp mobile application, LCD screen, indication LEDs or in the monitoring platform (if available).
- System configuration information, including the type and number of modules connected and the number and length of strings.
- The communication method to the SolarEdge server (if available).
- The product's software version as it appears in the ID status screen of the LCD or SetApp mobile application.

Subject to change without notice.

Copyright © SolarEdge Inc.

All rights reserved. March 2022.