

# Replacing Synergy Manager Wall Mounting Corrosion Protective Bracket Instructions

This manual describes how to replace a wall mounting corrosion protective bracket of Synergy Manager.



Figure 1: Three Phase Inverter with Synergy Technology



## NOTE

The Synergy Manager weighs 18 Kg. SolarEdge recommends two people remove the Synergy Manager from the bracket.

## Kit Contents

- Wall Mounting Bracket
- Wall mounting L.S. Bracket
- Wall mounting R.H. Bracket
- Screws Kit

## Required Tools

- Torque screwdriver for 1/4" hex bit
- Battery screwdriver
- Philips No. 2 screwdriver
- 5 mm Allen key
- 4 mm Allen hex bit
- Small spirit level
- 17 mm socket wrench
- 3.5 mm flat screwdriver
- 17 mm (11/16 inch) torque wrench

## Replacing the Synergy Manager Corrosion Protective Bracket Before New Installation

→ To Ensure the Corrosion Protective Synergy Manager Bracket is used for new Installation

1. Unpack the Synergy Manager and the corrosion protective brackets.
2. Make sure to use the corrosion protective brackets only. Discard the non-corrosion protective brackets packed with the Synergy Manager.
3. Mount the new Synergy Manager according the instructions in the installation guide.

## Disconnecting the Synergy Manager Cables

→ To Disconnect Cables from the Synergy Manager

1. Turn the ON/OFF/P Toggle Switch of the Synergy Manager to OFF (0) and wait for five minutes for the DC Voltage inside the inverter to drop to a safe level before preceding the next step.

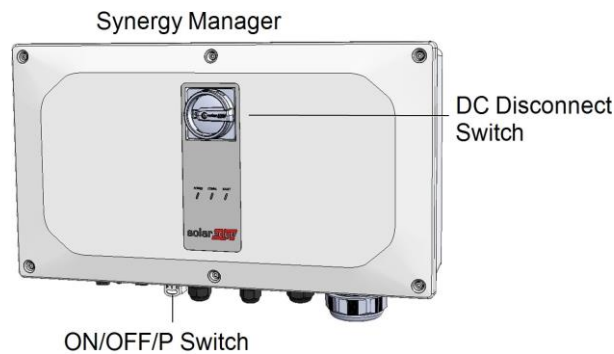


Figure 2: Synergy Manager

2. Turn OFF the DC Disconnect Switch on the Synergy Manager.
3. Disconnect AC power to the inverter by turning OFF the circuit breakers on the power distribution panel.
4. Release the Allen captive screws holding the front cover.
5. Disconnect all the incoming cables to the Synergy Manager (AC, DC, and communication).

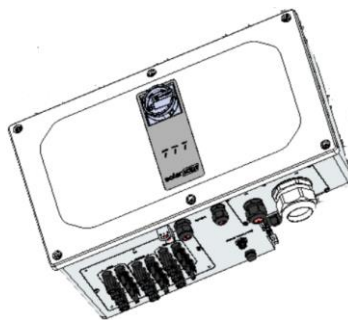


Figure 3: Disconnect all the incoming cables

6. Pull out the cables from the bottom of the Synergy Manager and position the cables to prevent damage to the cables.

→ To Disconnect Cables from the three Synergy Units

1. Disconnect all the cables from the Synergy Units.



### NOTE

All cables coming to the Synergy Units are labeled and marked with their position.

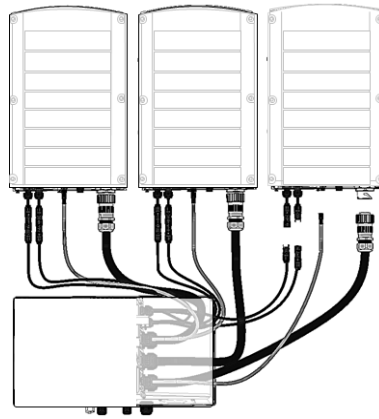


Figure 4: Disconnecting cables between the Synergy Manager and the Synergy Units

→ To Remove the Synergy Manager from the Bracket

1. Locate and remove the fixation screw of the Synergy Manager.

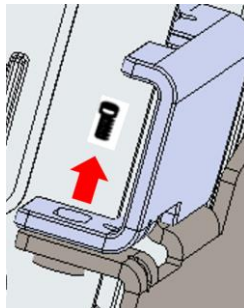


Figure 5: Fixation screw of the Synergy Manager

2. Lift the Synergy Manager from the bracket and place it on a supporting stand.

→ To Replace the Synergy Manager Brackets

1. Mount the new Synergy Manager bracket onto the wall using the same holes and screws. Make sure the new bracket is level before tightening the screws in the wall.
2. Remove the L.S. Bracket and Wall mounting R.H. Bracket on the rear of the Synergy Manager and replace it with a new L.S. Bracket and new Wall mounting R.H. Bracket.

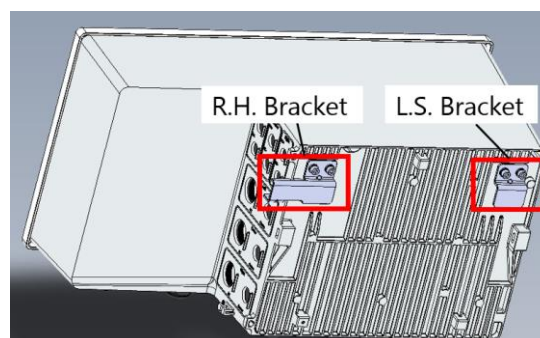


Figure 6: Left and right brackets on Synergy Manager rear

→ To mount the Synergy Manager onto the bracket

1. Lift the Synergy Manager and align the two side flanges with the two side mounting tabs of the bracket. Lower the Synergy manager from the top till it is resting evenly on the bracket.

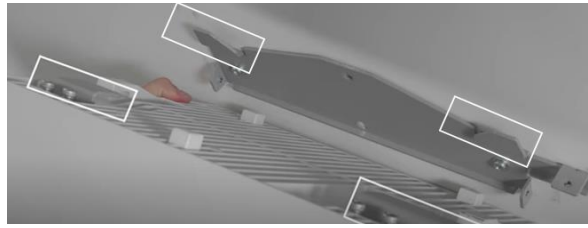


Figure 7: Synergy Manager side flanges and bracket tabs

2. Insert and fasten the fixation screw to a torque of 4 N\*m / 35.4 lbf\*in.

→ To Re-connect the Cables of the Three Synergy Units

1. Re-connect all the incoming cables coming from the Synergy Manager to the three inverters. (DC, communication, and three-phase power from the grid).

→ To Re-connect the Cables to the Synergy Manager



**WARNING!**

Make sure the ON/OFF/P Toggle Switch of the Synergy Manager to OFF (0).

Make sure the DC Disconnect Switch on the Synergy Manager is OFF.

Make sure the AC power circuit breakers to the inverter are turned OFF at the power distribution panel.

→ Re-connect all the cables to the Synergy Units



**NOTE**

Before connecting the AC connectors, make sure to match the two pin alignment guides in the male plug with the two pin grooves in the female socket of the AC cable.

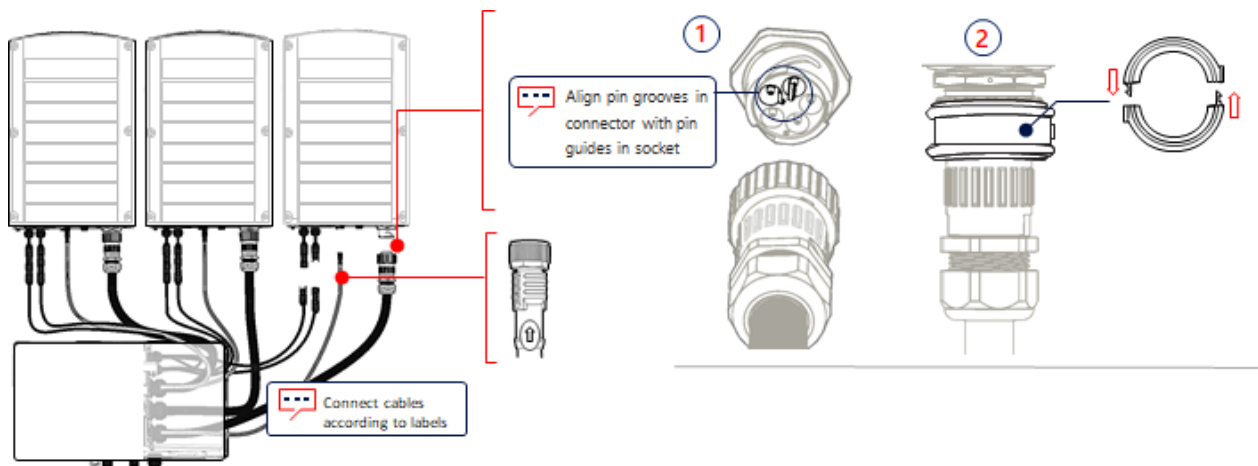


Figure 8: AC cables Guides and Grooves

1. Re-connect all the incoming cables to the bottom of the Synergy Manager. (DC, communication, and three phase power from the grid).
2. Attach the Synergy Manager cover back on.
3. Tighten the screws to a torque of 3.5 N\*m / 31 lbf\*in in the following sequence:

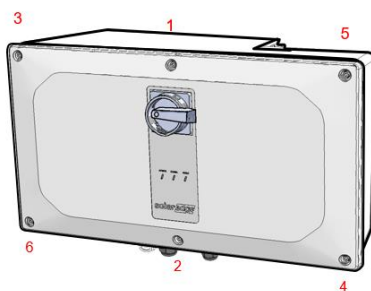


Figure 9: Tighten sequence of the Synergy Manager cover

4. Re-connect AC power to the inverter by turning ON the circuit breakers on the power distribution panel.
5. Turn ON the DC Disconnect Switch on the Synergy Manager.
6. Turn the ON/OFF/P Switch of the Synergy Manager to ON (1).

Subject to change without notice. Copyright  
SolarEdge Inc. All rights reserved. July 2022.