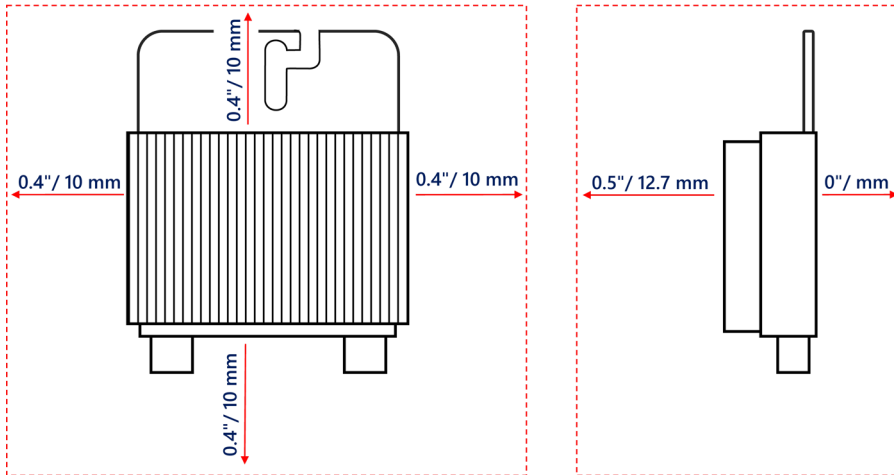


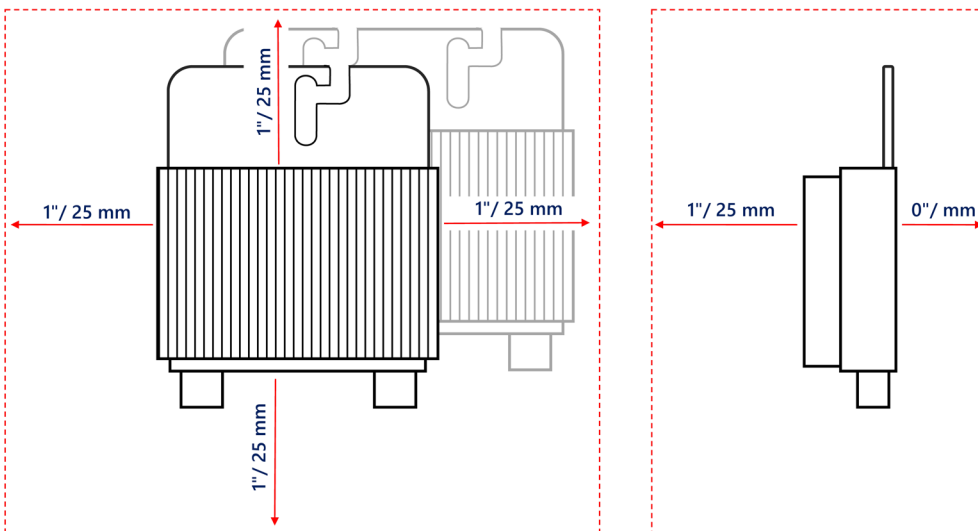
Application Note: Power Optimizer Clearance

Power optimizer clearance refers to the distance between any object (for example, railing system, module) and the power optimizer surface. To allow for heat dissipation, maintain clearance as specified below.

All power optimizers, except for the P860/P960/P750 and M1600 power optimizers:



P860/P960/P750 and M1600 power optimizers:



This application note overrides any conflicting power optimizer clearance instructions provided in other SolarEdge documents.