



Installation Guide

SolarEdge Mono Facial PV Modules

PV540/PV545/PV550/PV555-R72JWML

Version 1.1

Disclaimers

Important Notice

Copyright © SolarEdge Inc. All rights reserved.

No part of this document may be reproduced, stored in a retrieval system, or transmitted, in any form or by any means, electronic, mechanical, photographic, magnetic, or otherwise, without the prior written permission of SolarEdge Inc.

The material furnished in this document is believed to be accurate and reliable. However, SolarEdge assumes no responsibility for the use of this material. SolarEdge reserves the right to make changes to the material at any time and without notice. You may refer to the SolarEdge website (www.solaredge.com) for the most updated version.

All company and brand products and service names are trademarks or registered trademarks of their respective holders.

Patent marking notice: see <http://www.solaredge.com/patent>

The general terms and conditions of delivery of SolarEdge shall apply.

The content of these documents is continually reviewed and amended, where necessary. However, discrepancies cannot be excluded. No guarantee is made for the completeness of these documents.

Please note: This product is intended to provide remote shutdown of the SolarEdge PV harvesting system, to enable safer access to a building in the event of a fire. This product DOES NOT reduce the risk of fire or protect firefighters or others accessing a building in the event of a fire.

The images contained in this document are for illustrative purposes only and may vary depending on product models.

Emission Compliance

This equipment has been tested and found to comply with the limits applied by the local regulations.

These limits are designed to provide reasonable protection against harmful interference in a residential installation. This equipment generates, uses, and can radiate radio frequency energy and, if not installed and used in accordance with the instructions, may cause harmful interference to radio communications. However, there is no guarantee that interference will not occur in a particular installation. If this equipment does cause harmful interference to radio or television reception, which can be determined by turning the equipment off and on, you are encouraged to try to correct the interference by one or more of the following measures:

- Reorient or relocate the receiving antenna.
- Increase the separation between the equipment and the receiver.
- Connect the equipment into an outlet on a circuit different from that to which the receiver is connected.
- Consult the dealer or an experienced radio/TV technician for help.

Changes or modifications not expressly approved by the party responsible for compliance may void the user's authority to operate the equipment.

Version History

- Version 1.1, May 2023 – Added part numbers PV545/PV550/PV555-R72JWML
- Version 1.0, July 2022 - initial release

Contents

Disclaimers	2
Important Notice.....	2
Emission Compliance.....	2
Version History	3
Contents	3
Important Safety Instructions	4
General Safety.....	4
Installation Safety.....	4
Introduction	5
PV555-R72JWML.....	5
Limitation of Liability	5
General Information	6
Junction Box Style and Wiring Method	6
General Safety.....	6
Electrical Performance Safety.....	6
Operation Safety.....	7
Fire Safety.....	7
Installation Conditions	7
Installation Site and Working Environment	7
Selection of Tilt Angles	8
Mechanical Installation	9
Regular Requirements.....	9
Mono Facial Module Mechanical Installation.....	10
Electrical Installation	12
Electrical Performance.....	12
Cables and Wiring.....	13
Connectors.....	13
Bypass Diodes.....	13
PID Protection and Inverter Compatibility.....	13
Grounding	14
Operation and Maintenance	14
Cleaning	15
Module Appearance Inspection.....	15
Release and Execution.....	15
Support Contact Information	15

Important Safety Instructions

SAVE THESE INSTRUCTIONS!

General Safety

NOTE

- Consult and follow local codes and other applicable laws concerning required permitting as well as installation & inspection requirements, rules, and regulations.
- Modules and PV systems should be installed by authorized and qualified personnel.
- Follow all safety precautions of all components used in the system.
- Long periods of shading on the module's surface from the sun can result in cell power dissipation and overheating.
- Do not clean the glass surface with chemicals.
- Do not drop the PV module or drop objects onto the module.
- Do not attempt to disassemble the modules, and do not remove any attached components from the modules.
- Do not scratch or otherwise harm the back sheet, the glass, or the junction box. Do not pull or twist the cables or touch them with bare hands.
- Do not drill holes in the frame or scratch the insulating coating of the frame.
- Keep the module packed in the package until installation.
- Do not use modules near equipment or in places where gases, liquids, or other flammable materials may be generated.
- External or otherwise artificially concentrated sunlight shall not be directed onto the front or back face of the module.

Installation Safety

NOTE

- Wear protective headgear, insulating gloves, safety shoes, and insulated tools when installing the modules.
- Do not install the modules in the rain, snow, or otherwise wet or windy conditions.
- Modules may be covered with an opaque material during module installation and wiring to reduce the risk of charge buildup and electrical shocks or burns.
- When mating connectors, make sure they are firmly connected.
- Due to the risk of electrical shock, do not perform any work if the junction box is wet.
- Do not touch the junction box and the end of output connectors with bare hands.
- Do not unplug the connectors under load.
- It is recommended not to work alone.
- Wear a safety belt if working far above the ground.
- Do not wear metallic jewelry, which can cause electric shock, while installing or troubleshooting the PV system.
- Follow the safety regulations for any and all other system components, including wires, connectors, charging regulators, batteries, inverters, etc.
- The cables must be protected from direct sunlight and away from areas of water collection.
- Do not damage the surrounding modules or mounting structure when replacing a module.
- Do not change any module components (diode, junction box, plug connectors, etc.).
- A module's maximum reverse current is 33.75A. Using a blocking diode and maximum series overcurrent protective device in the combiner box are recommended for reverse current protection when more than four strings are connected in parallel. When used with a SolarEdge optimizer, it's not needed because the optimizer has reverse current protection.
- When installing the modules on a roof, it is recommended to install over a fireproof and insulating roof covering.
- Do not touch terminals, connectors, and modules while the system is on. Do not stand, walk, drop, or put objects on the module.

- Damaged modules (broken glass, torn back sheet, broken junction box, broken connectors, etc.) can be electrical hazards and pose a danger of laceration. Contact with damaged module surfaces or module frames can cause electric shock. In such cases, remove the damaged module from the array and contact the supplier for disposal instructions.
 - Do not block draining holes. When working above ground level, wear a safety belt.
 - Avoid the use of sharp objects and tools that might damage the module.
-

Introduction

This document provides detailed instructions and safety information regarding the installation, electrical connection, and maintenance of the following SolarEdge High Efficiency Mono-Facial PV Modules:

PV540-R72JWML

PV545-R72JWML

PV550-R72JWML

PV555-R72JWML

Limitation of Liability

Because the use of this manual and the conditions or methods of installation, operation, use, and maintenance of photovoltaic (PV) products are beyond SolarEdge control, SolarEdge does not accept responsibility and expressly disclaims liability for loss, damage, or expense arising out of or in any way connected with such installation, operation, use or maintenance. SolarEdge reserves the right to change the manual without prior notice.

Modules rated for use in this application class may be used in systems operating at greater than 50V DC or 240W, where general contact access is anticipated. Modules qualified for safety through IEC 61730-1 and this part of IEC 61730 within this application class are considered to meet the requirements for safety class II.

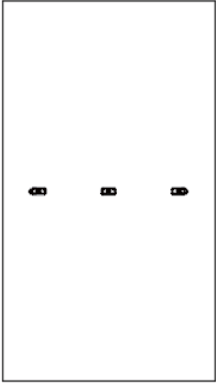
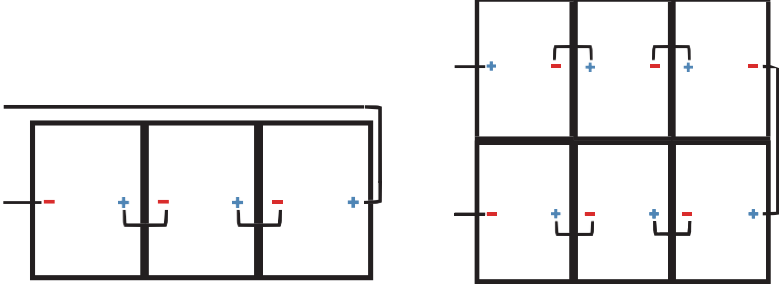
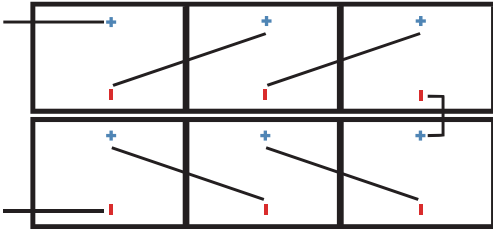
Where common grounding hardware (nuts, bolts, star washers, split-ring lock washers, flat washers, etc.) is used to attach a listed grounding/bonding device, the attachment must be made in conformance with the grounding device manufacturer's instructions.

General Information

Junction Box Style and Wiring Method

Table 1 displays images of the various Junction box styles and illustrations of the associated and recommended wiring methods.

Table 1: Junction Box Style and Wiring Methods

Junction Box Location Icon	Recommended Wiring Method
	<p>Vertical Installation: Standard Cable length (Note: An extension cord is required at the rotor head of the double row assembly and the end of the single row.)</p> 
	<p>Horizontal Installation: 72 type PV module cable length $\geq 1.4\text{m}$</p> 

General Safety

The SolarEdge Mono-Facial PV Modules are considered to meet the requirements for Safety Class II which is applicable for systems operating above 50 VDC (or above 240W), where general contact access is anticipated.

When the modules are intended for rooftop application, it is necessary to take the overall fire rating of the finished structure as well as operation and maintenance into account. The roofing PV system shall be installed after being evaluated by construction experts or engineers and with official analysis results for the entire structure. It shall be proved capable of supporting extra system bracket pressure, including PV module weight.

For your safety, please do not work on the roof without PPE (Personal Protective Equipment) which includes but is not limited to protection from falling, ladder or stairs, and personal protective measures.

For your safety, please do not install or handle modules in unsafe conditions including but not limited to strong wind or gust, damp, or sandy roofs.

Electrical Performance Safety

PV modules can produce DC current under illumination, any contact of the exposed metal of the modules connection wires may result in electrical shock or burn. Any contact of 30V or larger DC Voltage can be fatal.

In case of no connected load or external circuits, modules can still produce voltage. Please use insulation tools and wear rubber gloves when operating modules in the sunlight.

The PV modules do not have a switch. Operating of PV modules can only be stopped when they are kept from sunlight or covered by a hard-board or UV-proof materials or when the angle of the modules facing the sun is placed on smooth and flat surfaces.

To avoid electric arc or electric shock hazards, please do not break down the electric connection in loaded conditions. Incorrect connections will also lead to electric arc or shock. Keep connectors dry and clean and make sure that they are in good operating condition. Do not insert other metals into the connectors or carry out electric connections by whatever means.

Snow, water, or other reflective media in surrounding environments that intensify light re-reflection will increase output current and power. And module voltage and power will increase under low-temperature conditions.

If module glass or other sealing materials are damaged, please wear PPE (personal protective equipment) and then isolate modules from the circuit.

Do not operate when modules are wet unless you wear PPE (personal protective equipment). Please follow the cleaning requirements in this manual when cleaning modules.

Do not allow connectors to come into contact with the following chemicals: Gasoline, White Flower oil, Woodlock oil, Mold temperature oil, Engine oil (such as KV46), Grease such as Molykote EM-50L, Lubricating oil, Rust-proof oil, Stamping oil, Diesel, Cooking oil, Acetone, alcohol, essential balm, Bone-setting liquid, Banana oil, release agent (such as Pelicoat S-6), adhesive and potting materials capable of generating oxime gas (such as KE200, CX-200, chemlok), TBP, cleaning agent, etc.

Operation Safety

- Open modules outer Package when installation.
- Do not damage the package and do not drop packaged modules on the ground.
- Do not exceed the indicated maximum layer limit on the packaging carton when piling modules up.
- Put packaging carton in a ventilated, water-proof, and dry place before unpacking modules.
- Follow the unpacking instructions when opening the packaging carton.
- Carrying modules with the junction box or wires is strictly forbidden.
- Do not stand or walk on modules.
- To prevent the module glass from getting damaged, do not place heavy objects on the modules.
- Be careful when placing modules in corners in particular.
- Do not try to dismantle the module or remove the nameplate or parts of the modules.
- Do not paint or apply any other adhesive on the modules.
- Do not damage or scratch the back sheet of modules.
- Do not drill holes in the frame of a module. Doing so may reduce the frame loading capacity and lead to frame corrosion and invalidate the limited warranty provided for customers.
- Do not scratch the anodic coating of the aluminum alloy frame except for the grounding connection.
- Scratch may lead to frame corrosion and reduce frame loading capacity and long-term reliability.
- Do not repair problematic modules on your own.



Fire Safety

Please refer to local laws and regulations before installing modules and abide by requirements on building fire protection. According to the corresponding certification standards, the fire rating of SolarEdge modules is Class C.

The roof should be coated with a layer of fireproof materials with a suitable fire protection rating for roofing installation and make sure that the back sheet and the mounting surface are fully ventilated.

Different roof structures and installation modes will affect the fireproof performance of buildings. Improper installation may lead to the risk of fire.

To guarantee roof fire rating, the distance between the module frame and roof surface must be $\geq 10\text{cm}$. (4in).

Adopt the use of proper module accessories such as fuse, circuit breaker, and grounding connectors according to local regulations. Please do not install modules anywhere near exposed flammable gases.

Installation Conditions

Installation Site and Working Environment

- Do not manually focus sunlight with mirrors or a magnifying glass onto modules.

- SolarEdge modules must be installed on proper buildings or other appropriate locations such as the ground, a garage, a building's external wall, roof, or PV tracking system but shall not be installed on any vehicle.
- Do not install modules in places that are likely to be flooded.
- SolarEdge suggests that modules be installed in working environments where the installation site is exposed to a monthly average minimum and maximum temperature range of -20°C to 50°C. The extreme working environment temperature range for modules is -40°C to 85°C.
- Make sure that installed modules are not exposed to wind or snow pressure that exceeds the permissible maximum load limit.
- Modules shall be installed in places free from shade throughout the year. Make sure there are no obstacles that block light within or near the installation sites.
- Provide lightning protection for modules installed in places that experience frequent bursts of lightning and thunder.
- Do not install modules in places near a possible source of flammable gases.
- Modules cannot be used in environments that are exposed to excessive amounts of hail, snow, flue gas, air pollution, and soot or in places close to sources of strong corrosive substances such as salt, salt mist, saline, active chemical steam, acid rain, or other substances
- that can corrode modules or affect a modules' safety or performance.
- Please take protective measures to ensure the reliable and safe installation of modules in severe environments such as heavy snow, cold and strong wind, or islands close to water and salt mist or deserts.
- SolarEdge modules have passed the IEC61701 salt spray corrosion test, however, corrosion may still occur where the module's frame is connected to the bracket or where the grounding is connected.
- In case SolarEdge modules are installed within a distance of 100m –1000m away from the seaside, stainless steel or aluminum materials must be used to connect the PV modules, and the connection point should be protected using anti-corrosion measures.

Selection of Tilt Angles

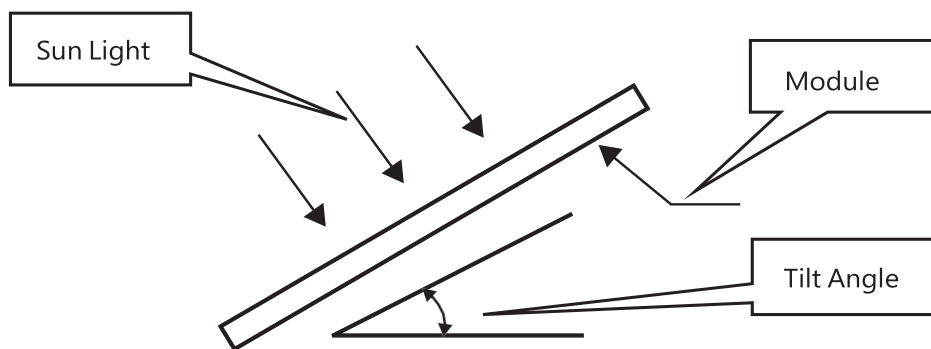


Figure 1: Module Tilt Angle

The tilt angle of modules: The angle included between the module surface and horizontal surface; the angle that the module will obtain the maximum power output when directly facing sunlight.

Preferably, modules should be positioned with a south-facing aspect in the northern hemisphere and a north-facing aspect in the southern hemisphere.

Please refer to standard module installation guidelines or suggestions from an experienced PV module installer, for the specific installation angle.

SolarEdge recommends that the tilt angle of module installation be no less than 10°. This allows rainfall to easily wash away any surface dust that accumulates on the module and reduces the required frequency of cleaning. It also helps to prevent water from pooling on the glass which otherwise over extended periods can create watermarks on the glass which may further affect module appearance and performance.

SolarEdge modules connected in strings should be installed with the same orientation and tilt angle. Different orientations and tilt angles may result in different amounts of received solar irradiation and a consequent loss of output power. To achieve the maximum annual generating capacity, the optimal orientation and inclination of PV modules in the installed area should be selected to ensure that sunlight can still strike the modules even on the shortest day of the year.

If SolarEdge modules are used in an off-grid system, the tilt angle should be calculated based on seasons and irradiation to maximize the output power. If the module's output power meets the acquired load under the period of the worst irradiation in the year, the modules should be able to meet the load for the whole year. If the SolarEdge modules are used in a grid-connected system, the tilt angle should be calculated based on the principle to maximize the yearly output power.

Mechanical Installation

General Requirements

- Make sure that the module installation mode and bracketing system can meet the expected load, which is the requisite assurance that the bracket installer must provide. The installation bracketing system shall be tested and inspected by a third-party testing organization with static mechanical analysis capacity as per local national standards or international standards.
- Module bracket shall be made from durable, corrosion-resistant, UV-proof materials.
- Modules shall be fixed on the bracket solidly.
- Use higher brackets in places with heavy snow accumulation so the lowest point of modules will not be covered by snow for any length of time. In addition, make the lowest point of modules high enough to avoid being shaded by surrounding vegetation and woods or reduce the possibility of damage caused by sand and stones.
- If modules are installed on brackets parallel to the roof or wall, the minimum gap between the module frame and the roof/wall shall be 10cm for air ventilation to prevent module wire damage.
- Make sure the building is suitable for installation before installing modules on the roof. Moreover, seal properly to prevent leakage.
- The module frames can experience thermal expansion and contraction so the frame interval between two adjoining modules must be no less than 10mm.
- Make sure that the module's back sheet does not come into contact with any brackets or building structures that can pierce the inside of a module, especially when the module surface is placed under load.
- The maximum static load of the PV module is a downforce of 5400pa and an uplift force of 2400pa, which can vary between different modules.
- mounting methods (please refer to the following installation guidance), the described load in this manual is for the test load.
- Note: based on IEC61215 - 2016 installation requirements, when calculating the corresponding maximum design load, you need to consider a safety factor of 1.5 times.
- Modules can be installed horizontally or vertically. When installing the components, be careful not to block the frame's drain hole.

Mono Facial Module Mechanical Installation

Installation and Mechanical Load of Mono Facial Modules

The mono facial modules can be installed with bolts that are bolted into 4 outer installation holes, and fixtures. Detailed installation positions and corresponding load capacities are shown in the tables below.

Mono Facial Module Installation Using Bolts

Figure 2 below shows the bolt position variation for Mono facial module installation using bolts.

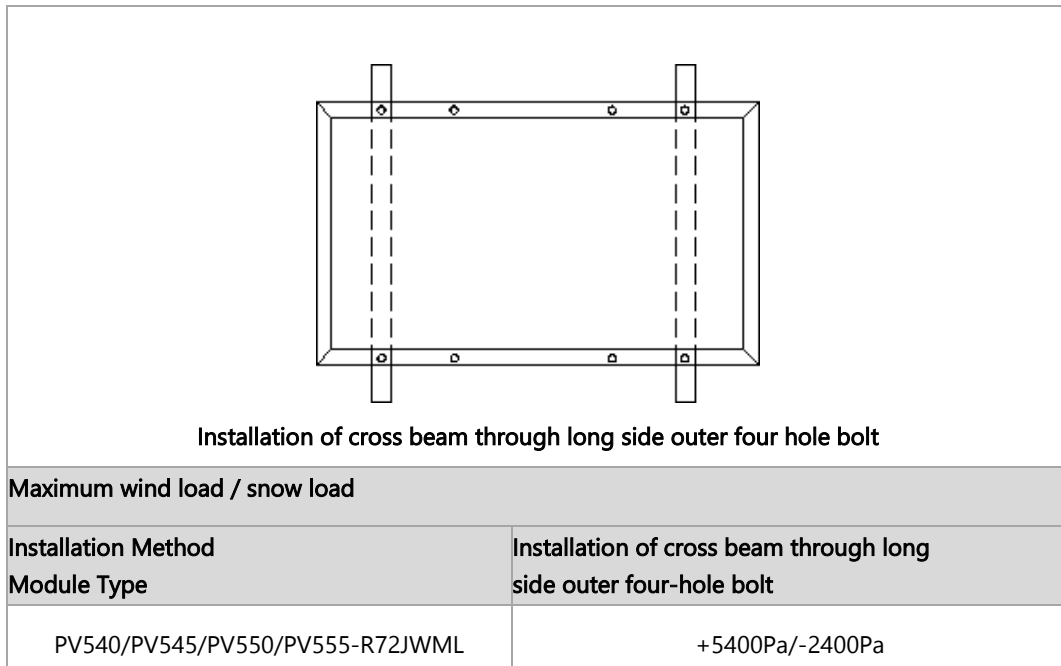


Figure 2: Positioning of Mono Facial Module Installation Using Bolts

Bolt Mounting

Install the bolts as follows (see Figure 3):

1. Place the module on the supporting bars underneath (The modules should touch the supporting bar). Insert the four stainless-steel bolts (M8) through the holes in the frame.
2. Components must be laid across support rods (40mm to 80mm in width).
3. Secure each bolt to the frame with 2 stainless-steel washers, one on each side of the mounting structure and a screw on either a stainless-steel spring washer or a toothed lock washer. Finally, secure with a stainless steel nut (M8).

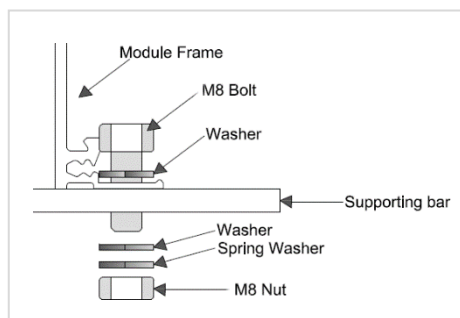


Figure 3: Bolt Installation of Mono facial Module

4. The torque recommended for tightening the nut and bolts is 13Nm when the property class for bolts and nuts is Class 8.8.

Mono Facial Module Installation Using Fixtures

Figure 4 illustrates the clamping range for Mono facial module installation using fixtures.

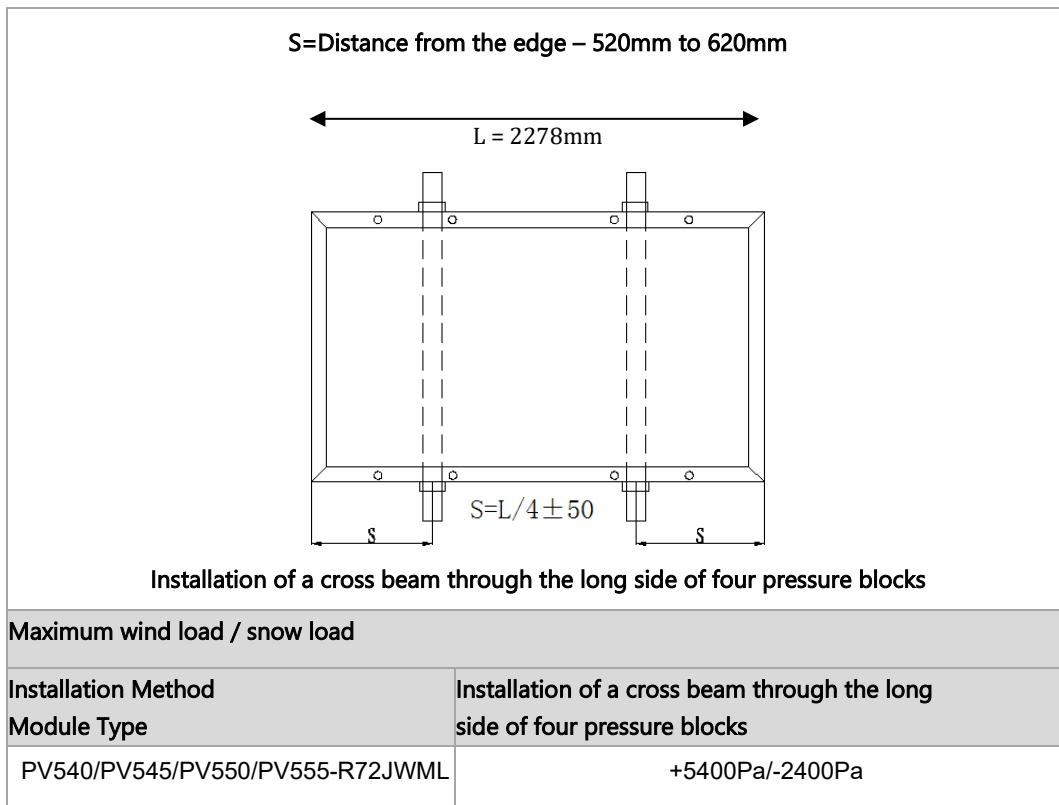


Figure 4: Clamp Position for Mono Facial Module Installation Using Fixtures

Each aluminum mounting clamp comes with an M8 bolt, a plain washer, a spring washer, and an M8 nut. To fasten the module:

1. Place the module on the two supporting bars (not provided). The bars should be made of stainless material or treated with an anti-corrosion process (e.g., anodic oxidation treatment). The module must be parallel or laid across support rods (the width of the support rod is 40-80 mm).
2. The bar's top surface contacted with module frame should come with grooves compatible with an M8 bolt.
3. If the bars do not come with grooves, holes of suitable diameter may need to be drilled to allow bolts to be attached to the bars at the same locations as mentioned before.
4. Secure each clamp by attaching a plain washer, a spring washer, and a nut, in that order.
5. Close-ups of Figure 5 show the middle clamps and the side clamps. The dimensions for the middle clamps are $a \geq 40$ mm, $b \geq 26$ mm, $c = 8$ mm, $d \geq 28$ mm, and $\varnothing = 9$ mm. The torque for tightening the nut and bolts recommended is 28Nm when the property class of bolts and nuts is Class 8.8. When installing the cross beam through the long side bricketting, drive the slide bolts through the groove on the supporting bars next to the locations where the clamps are to be fastened. The module may be clamped only in the permitted clamping area on the long edge of the frame, and the edge of the clamp should not coincide with the position of the mounting hole.

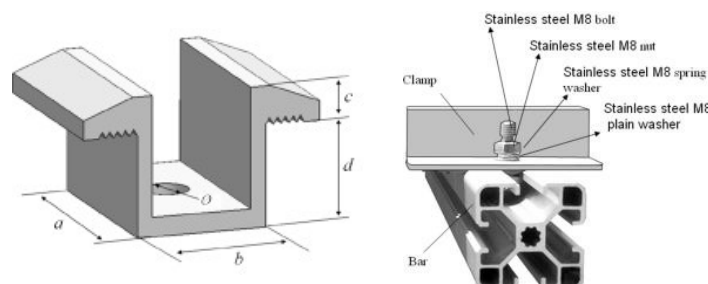


Figure 5: Middle clamps (left) and Side clamps (right)

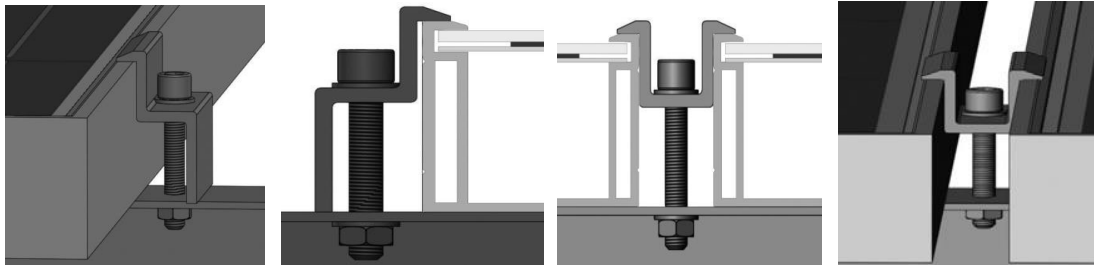


Figure 6: End Clamp installation (left) and Middle Clamp installation (right)

- 6. When installing the module pressing blocks embedded in the beam, the modules may be mounted using clamps designed for solar modules (see Figure 7), the modules must be supported along the length of the long edge and should overlap the array rail by 10mm-14mm.

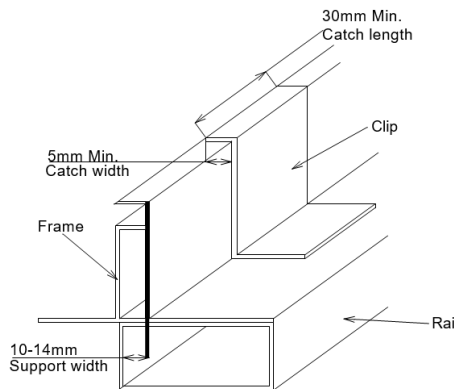


Figure 7: Installing the module pressing blocks embedded in the beam

Electrical Installation

Electrical Performance

The reported performance measurements are subject to a +/-3% uncertainty at STC (1000 W/m² Irradiance, a cell temperature of 25°C, and an AM1.5 spectrum) for voltage, current, and power.

When modules are connected in series, the string voltage is the sum of every individual module in one string. When modules are connected in parallel, the current is the sum of the individual modules' current as shown below in Figure 8. Modules with different electric performance models cannot be connected in one string.

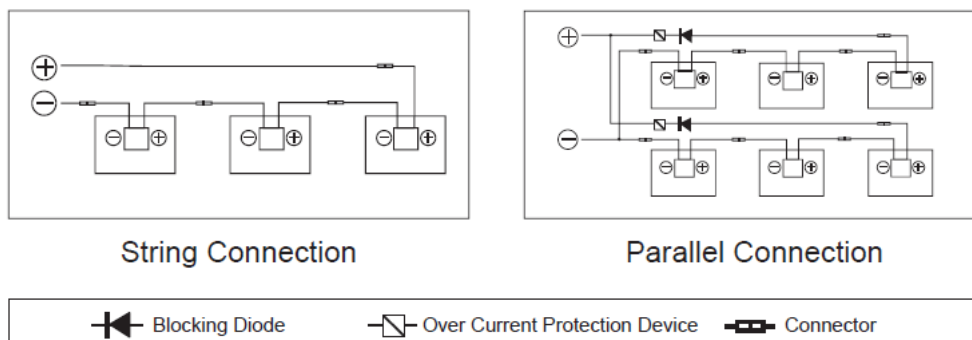


Figure 8: Series Connection and Parallel Connection Circuit Diagram

The maximum allowed quantity of modules connected in a string shall be calculated according to relative regulations. The open-circuit voltage value under the expected lowest temperature shall not exceed the maximum system voltage value allowed by modules and other values required by DC electric parts. SolarEdge module's maximum system voltage is DC1000V/DC1500V---actually system voltage is designed based on the selected module and inverter model.

The VOC factor can be calculated by the following formula. $C_{Voc} = 1 - \beta V_{oc} \times (25 - T)$

T: The expected lowest temperature at the installation site.

β : VOC temperature coefficient (% /°C) (Refer to a specific module's datasheet for further detail).

If there is a reverse current that exceeds the maximum fuse current flowing through the module, use an overcurrent protection device with the same specifications to protect the module; if there are more than 2 parallel connections, there must be an overcurrent protection device on each string of module. See Figure 8.

Cables and Wiring

In the module design, select junction boxes with the protective level of IP67 for on-site connections. The junction boxes protect and provide a water-tight environment for wires, contacts, connections, and other uninsulated electric parts from wet weather. The junction box performs the protective level of IP67 with well-connected cables and connectors. These designs facilitate the parallel connection of modules. Each module has two separate wires for connecting the junction box, one is a negative pole and the other is a positive pole. Two modules can be connected in series by inserting the wire connect to the positive pole one module into the negative pole of the adjoining module.

Use the cables and connectors that are accepted by the local fire protection, building, and electrical regulations; ensure the electrical and mechanical properties of the cables (the cables should be put in a catheter with anti-UV aging properties, and if exposed to air, the cable itself should have the anti-UV aging capability).

The installer can only use a single-wire cable, 4.0-16mm²(5-12 AWG), 90 °C, with proper insulation capability to withstand the maximum open-circuit voltage (such as EN50618 approval). Need to select appropriate wire specifications to reduce voltage drop.

SolarEdge requires that all wiring and electrical connections comply with the appropriate 'National Electrical Code'.

When cables are fixed on the bracket, avoid causing any mechanical damage to cables or modules. Do not press cables by force. Select UV-resistant cable ties and clamps to fix cables on the bracket. Even though the cables are UV resistant and waterproof, it is still necessary to prevent the cables from being exposed to direct sunlight and being immersed in water.

The minimum bending radius of cables should be 43mm. (1.69in).

Connectors

Please keep connectors clean and dry. Make sure connector caps are fastened before connection. Do not connect connectors under improper conditions of damp, dirt, or other extreme situations). Avoid exposing the connectors to direct sunlight, immersing them in water, and prevent them from dangling onto the ground or roof.

Faulty connections may result in the production of electric arcs and could cause electric shock. Please make sure that all electric connections are reliable. Make sure all connectors are fully locked.

Only compatible connectors can be paired, i.e. connectors from the same vendor and model, shall be used; (If you need to use different types of connectors, please consult SolarEdge customer service.

Bypass Diodes

The SolarEdge junction boxes for the High Efficiency Mono Facial PV Modules contain bypass diodes that are connected in parallel with the cell string. If a hot spot occurs, the diode will begin operating to stop the main current from flowing through the hot spot cells to prevent the module from becoming over-heated and to prevent performance loss. Note that a bypass diode is not the overcurrent protection device.

If a diode is defective or suspected of being defective, the installer or system maintenance supplier must contact SolarEdge. Do not try to open the module junction box on your own.

PID Protection and Inverter Compatibility

PV modules may exhibit Potential Induced Degradation (PID) under conditions of high humidity, high temperature, and high voltage. Modules may exhibit Potential Induced Degradation (PID) under the conditions below:

- PV module installation under hot and humid weather conditions.
- PV module installation site is exposed to long-term humid conditions such as floating PV system.

To reduce the risk of PID, on the modules DC connection site, it is recommended to connect the negative to ground.

Grounding

1. Use the marked grounding holes (5.5mm) to ground the anodized frame. All nuts, bolts, and gaskets are type M5 and should be made of stainless steel (See Figure 9).

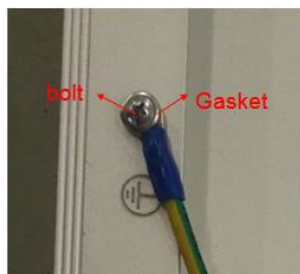


Figure 9: Toothed washer nut

2. Put the bolt through the fixed end, and then through the hole in the aluminum frame.
3. Add the gasket and the nut on the other side of the bolt and tighten to secure all parts. The tightening torque should be $2.1 \pm 0.1 \text{ Nm}$. (Note that the copper wire cannot be attached directly to the aluminum).
4. Suggested grounding method above may be used only in line with the national electrical grounding norms.

Precautions for grounding for lightning protection

Conventional grounding hardware (nuts, bolts, washers, toothed lock washers, smooth washers, etc.) is used to connect grounding or securing equipment. The connection must comply with the grounding equipment manufacturer's instructions. When grounding, observe the following local standards and rules:

1. Use the ground hole on the frame for grounding. Do not use mounting holes or drill extra holes for grounding on the frame. Otherwise, the rigidity of the frame may be insufficient.
2. The frame is a corrosion-resistant coated aluminum frame. When grounding, it is necessary to use toothed gasket or self-tapping screw to penetrate the film to achieve a good grounding effect, otherwise it may cause poor grounding.
3. Each module should be grounded via racker individually. In case that the modules are connected in series, you could use grounding wire to connect all module frame in series and ground only one module via racker.
4. The grounding is connected panel to panel, panel to racker, racker to ground. The material, shape, size, buried depth, and grounding mode of the grounding body must comply with the design specifications.
5. Before the thunderstorm season, check whether the grounding of the PV module is reliable, such as whether the grounding cable is connected effectively and whether the anti-corrosion treatment measures are intact. If necessary, dig the ground to spot check the corrosion of the underground part.
6. The recommended grounding cable diameter must meet grounding requirements.
7. Lightning protection measures should be taken to module series: photovoltaic grounding and lightning protection should be implemented to comply with the regulation DL/T1364.

Operation and Maintenance

It is the users' responsibility to carry out regular inspection and maintenance of modules, especially during the limited warranty period; inform the supplier within two weeks when any module is found to be broken.

Cleaning

The accumulation of contaminants such as dust, industrial wastewater, and birds' droppings on the surface glass of a module reduces the modules' power output and leads to the production of local hot spots. The severity of influence is determined by the transparency of those contaminants. Small amounts of dust will affect the intensity and evenness of received solar irradiation but are not dangerous and in general, power will not be significantly reduced.

During the operation of modules, there must be no environmental factors that either fully or partially shade the modules. These environmental factors include other modules, module mounting systems, birds' nests, dust, soil, or plants. Any of these will significantly reduce power output. SolarEdge suggests that the module surface should not be shaded under any circumstance.

The frequency that modules require cleaning depends on how quickly dirt accumulates on the module's surface. In normal situations, rainwater will clean the module surface and reduce the cleaning frequency. When cleaning the module surface, it is suggested to use a sponge or soft cloth dipped in clean water to wipe the glass surface. Do not use acidic or alkaline detergents to clean modules. Under no circumstance should the modules be cleaned using any tool that has a rough surface.

To avoid the potential risk of electrical shock or getting burnt, SolarEdge suggests cleaning the modules during the early morning and evening when there is low irradiance and when the module temperature is low, especially in locations that experience high average temperatures.

To avoid the potential risk of electrical shock, do not attempt to clean any module that has exposed wires or damaged glass.

Module Appearance Inspection

Conduct a visual inspection of the modules and check for cosmetic defects, especially:

- Module glass cracks.
- Corrosion on welded parts of the cell main grid, caused by the accumulation of moisture in the module resulting from sealing materials being damaged during installation or transportation.
- Check whether there are traces of burn marks on the module back sheet.
- Check PV modules for any signs of aging including rodent damage, climate aging, loose connectors, corrosion, and grounding conditions.
- Check for any sharp objects that are in contact with PV modules' surface
- Check if any objects are causing a shadow to cover the PV modules
- Check for any loose or damaged screws between the modules and mounting system. If so, adjust and fix in time.

Release and Execution

This manual document is implemented and managed by the product management department. The product management department reserves the right to modify and revise the content at any time.

Support Contact Information

If you have technical problems concerning SolarEdge products, please contact us:



<https://www.solaredge.com/service/support>

Before making contact, make sure to have the following information at hand:

- Model and serial number of the product in question.
- The error indicated on the SetApp mobile application, LCD screen, on the monitoring platform, or by the LEDs, if there is such an indication.
- System configuration information, including the type and number of modules connected and the number and length of strings.
- The communication method to the SolarEdge server if the site is connected.
- The product's software version as it appears in the ID status screen

solaredge