

Home Hub 3 Ph Inverter Internal Fans Support kit

This manual describes how to replace the Internal Fan. P/N **FLD-AG-48B-IFAN-A-01**

Kit Contents

- Home Hub 3 PH Inverter Internal Fans Support kit.

Required Tools

- Torque screwdriver for ¼" hex bit
- 4 mm Allen hex bit
- PH2 Philips screwdriver

Removing the Cover

1. Turn the ON/OFF/P Toggle Switch OFF (0).



Figure 1: ON/OFF/P toggle switch OFF

2. Disconnect AC power to the inverter by turning OFF the main circuit breakers or disconnecting the fuses in the power distribution panel and wait for five minutes for the DC Voltage inside the inverter to drop to a safe level before proceeding to the next step. Lock the power distribution panel and keep the key in your pocket.
3. Turn OFF the battery.
4. Use a 4 mm Allen hex bit to loosen all 10 screws in the following sequence. Turn all the screws half a turn and remove the cover.

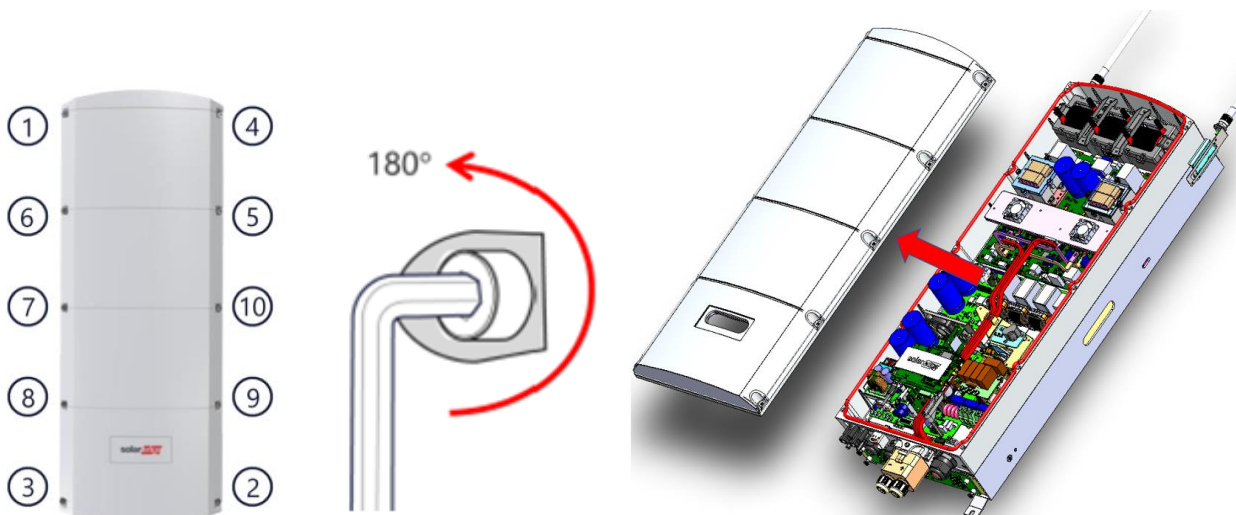


Figure 2: remove Cover

5. Keep the cover and screws for reassembly.

Removing the Damaged Internal Fans Assembly

1. Use a PH2 Philips screwdriver to loosen the four screws holding the Internal Fans assembly in place. Keep the screws for reassembly.



Figure 3: remove Internal Fans assembly

2. Disconnect the right fan power cable connector from the P801 socket.
3. Disconnect the left fan power cable connector from the P800 socket.

NOTE
The cable connector is fitted with a locking mechanism. Make sure to press the lever to release the locking mechanism before trying to disconnect the connector from the socket. Never grip the wires to remove the connector from the socket.

Press here to release

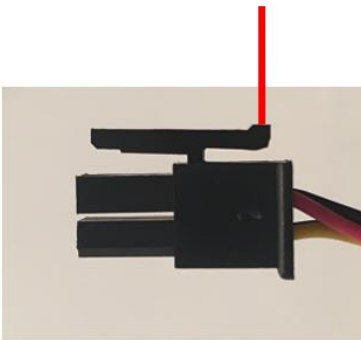


Figure 4: connector locking mechanism

4. Remove the whole Internal Fans assembly from the inverter.

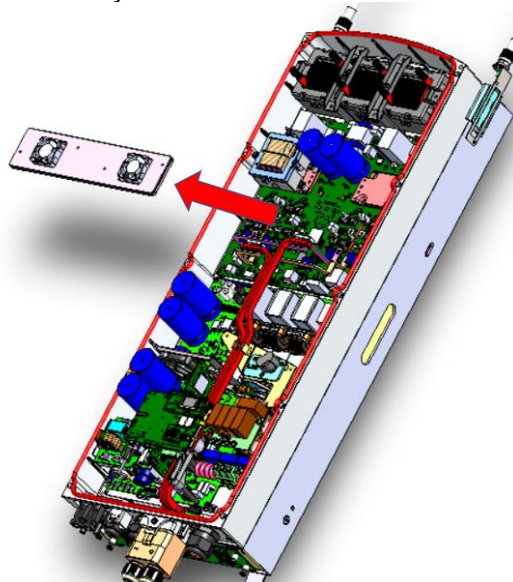


Figure 5: remove the Internal Fans assembly

5. Discard the damaged Internal Fans assembly.

Installing the Replacement Internal Fans Assembly

1. Remove the new Internal Fans assembly from the packaging.

2. Place the new Internal Fans assembly into position.
3. Re-connect the right fan power cable connector to the P801 socket. Make sure you hear a click. Pull the connector gently to make sure they are properly connected..
4. Re-connect the left fan power cable connector to the P800 socket. Make sure you hear a click. Pull the connector gently to make sure they are properly connected.



Figure 6: P800 &P801 sockets

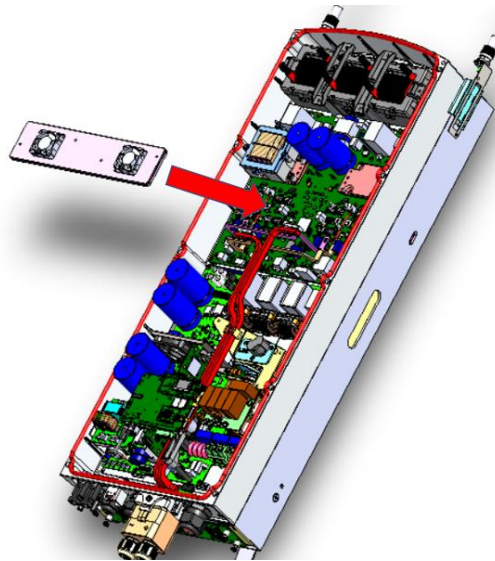


Figure 7: replace Internal Fans assembly

5. Insert the four screws and use a PH2 Philips screwdriver to tighten to a torque of 1.1 N*m / 9.7 lbf*in.

Remounting the Cover Assembly

1. Place the cover in position and insert the 10 screws.
2. Use a 4 mm hex bit and a torque wrench to tighten the 10 screws to a torque of 4 N*m / 35.4 lbf*in.
3. Tighten the screws in the following sequence:

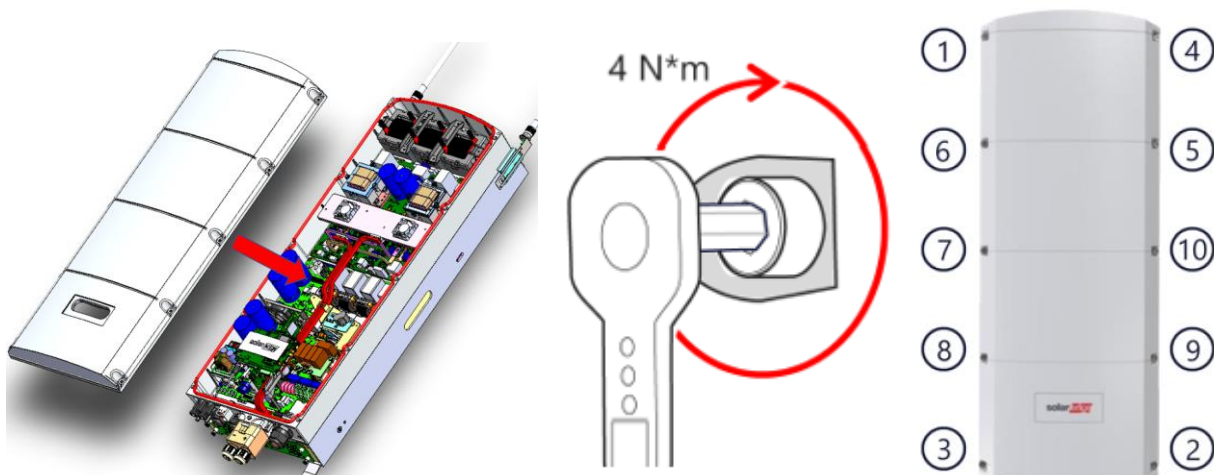


Figure 8: screw tightening sequence

4. Unlock the power distribution panel and turn ON the main AC circuit breaker or connecting the fuses.
5. Turn the ON/OFF/P Toggle Switch of the Home Hub 3 Ph Inverter to ON (1).



Figure 9: ON/OFF/P toggle switch ON