

Home Hub 3 Ph Inverter External Fans Support kit

This manual describes how to replace the External Fans. P/N **FLD-3PH-OR-EX-02**

Kit Contents

- Home Hub 3 PH Inverter External Fans Support kit.

Required Tools

- PH2 Philips screwdriver

Turning OFF the Inverter

1. Turn the ON/OFF/P Toggle Switch OFF (0).



Figure 1: ON/OFF/P toggle switch OFF

2. Disconnect AC power to the inverter by turning OFF the main circuit breakers or disconnect the fuses in the power distribution panel and wait for five minutes for the DC Voltage inside the inverter to drop to a safe level before proceeding to the next step. Lock the power distribution panel and keep the key in your pocket.
3. Turn OFF the battery.

Removing the Damaged External Fans Assembly

1. Use a PH2 Philips screwdriver to loosen the four screws holding the External Fans assembly in place. Keep the screws for reassembly.
2. Pull the External Fans assembly away from the inverter.

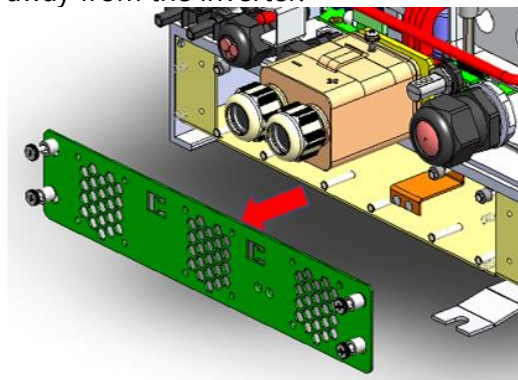



Figure 2: remove External Fans assembly

3. Disconnect the External Fans assembly power cable connector from the power socket.

 **NOTE**
The cable connector is fitted with a locking mechanism. Make sure to press the lever to release the locking mechanism before trying to disconnect the connector from the socket.
Never grip the wires to remove the connector from the socket.

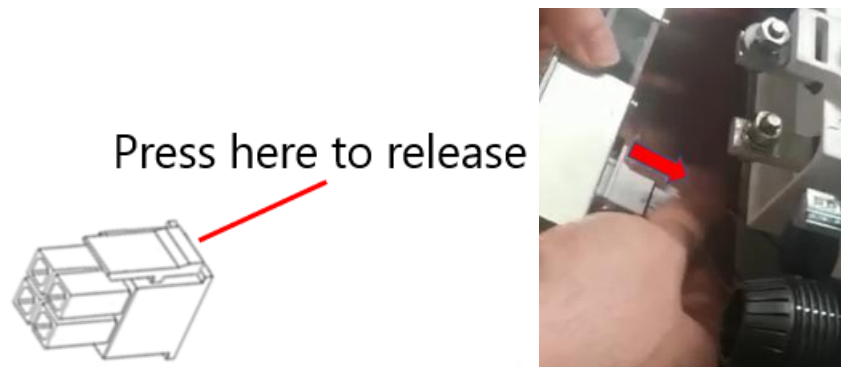


Figure 3: connector locking mechanism

4. Discard the damaged External Fans assembly.

Installing the Replacement External Fans Assembly

1. Remove the new External Fans assembly from the packaging.
2. Re-connect the power cable connector to the power socket. Make sure you hear a click. Pull the connector gently to make sure they are properly connected.



Figure 4: power socket

3. Place the new External Fans assembly into position.

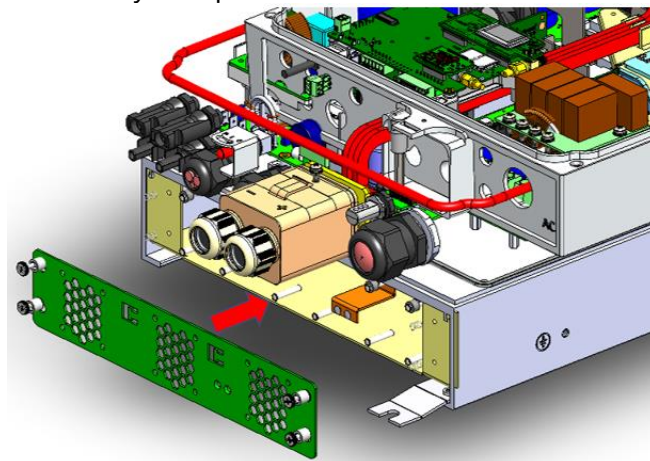


Figure 5: replace External Fans assembly

4. Insert the four screws and use a PH2 Philips screwdriver to tighten to a torque of 1.3 N*m / 11.5 lbf*in.

Turning ON the Inverter

1. Unlock the power distribution panel and turn ON the main AC circuit breaker or connect the fuses.
2. Turn the ON/OFF/P Toggle Switch of the Home Hub 3 Ph Inverter to ON (1).



Figure 6: ON/OFF/P toggle switch ON