

SolarEdge Home Hub Inverter - Three Phase

Quick Installation Guide
V1.1



solaredge.com

SolarEdge Technologies GmbH, Werner-Eckert-Str. 6, 81829 Munich, Germany
Subject to change without notice.
© SolarEdge Technologies, Ltd.
All rights reserved. February 2024.

[Unpacking and Mounting Video](#)



[Wiring Video](#)



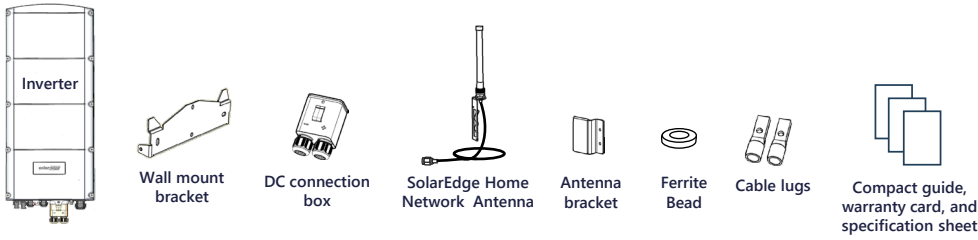
[Datasheet](#)



[Installation Guide](#)



What's in the Package



Tools and Materials



WARNING! This symbol denotes a hazard. The symbol calls attention to a procedure that could result in injury or loss of life if not correctly performed or adhered to. Do not proceed beyond a warning note until the conditions are fully understood and met.

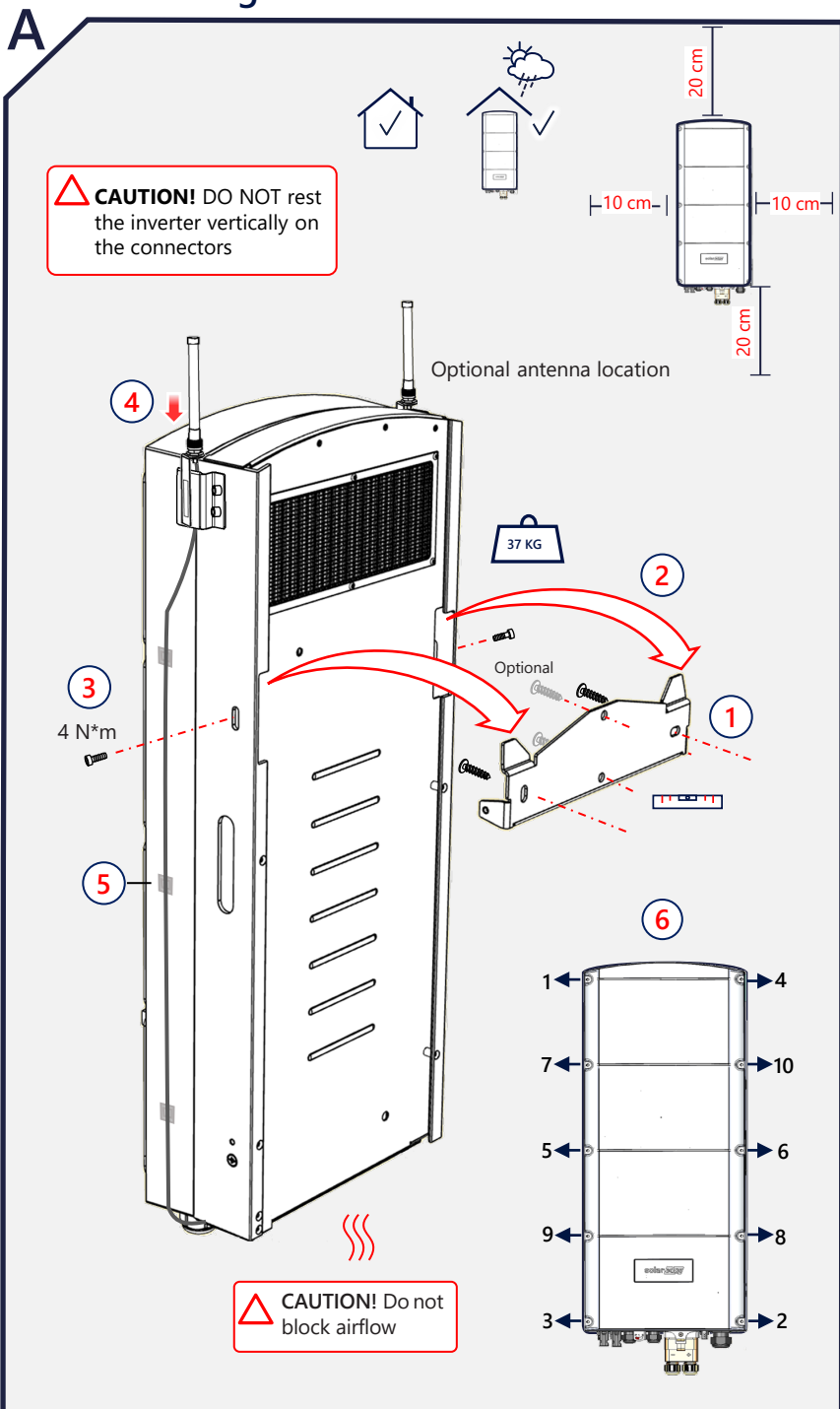
CAUTION! Denotes a hazard. The symbol calls attention to a procedure that could result in damage or destruction of the product if not correctly performed or adhered to. Do not proceed beyond a caution sign until the indicated conditions are fully understood and met.

Backup System Installation

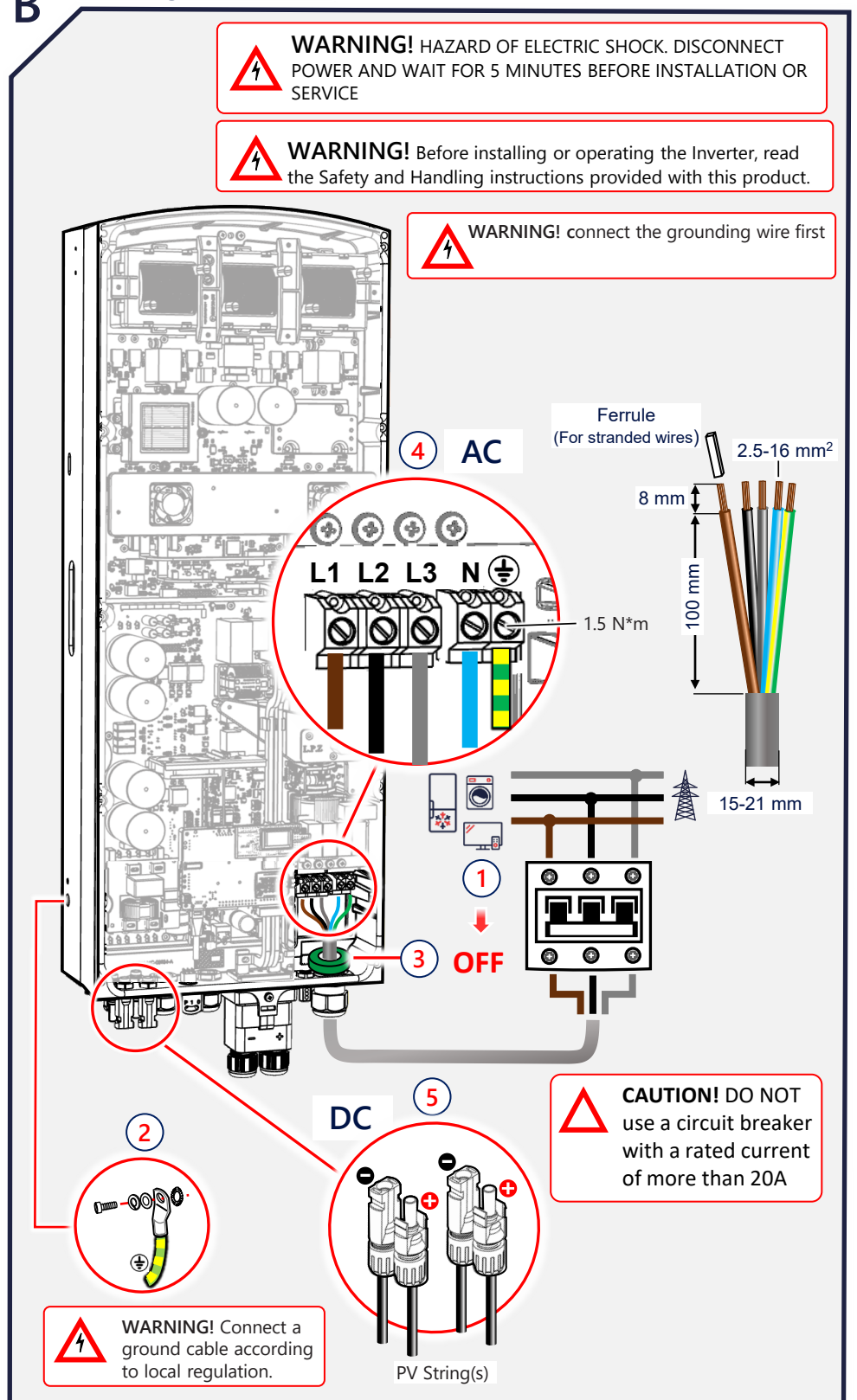
IMPORTANT NOTE! When installing or upgrading your backup system:

1. First, install the Inverter.
2. Next, install the Battery.
3. Finally, if applicable, install the Backup Interface (BUI).

Mounting

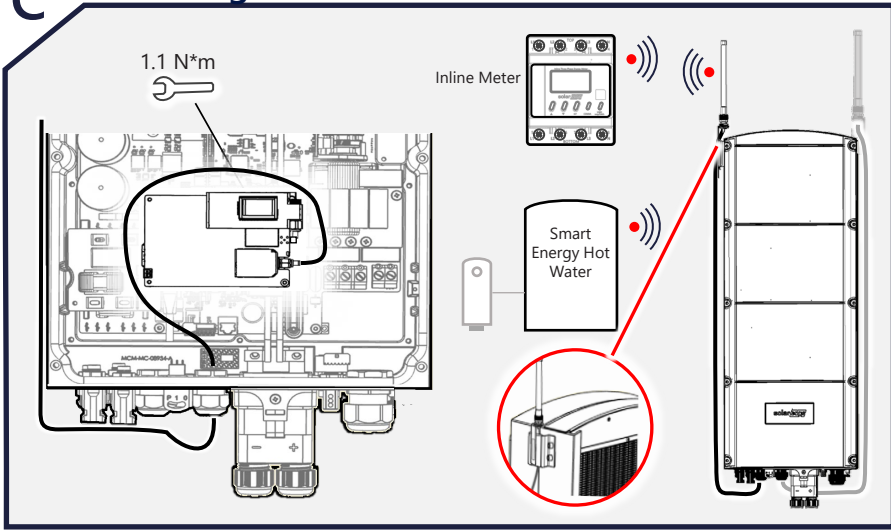


Wiring

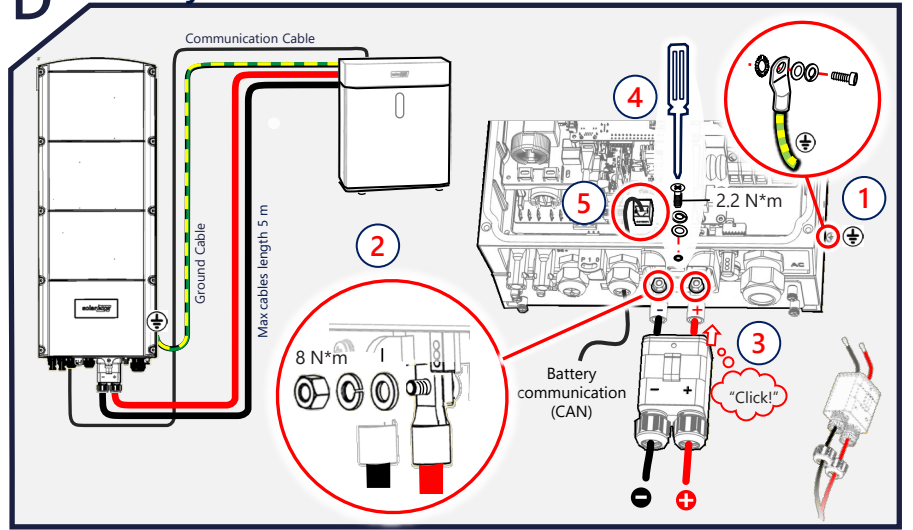


IMPORTANT! The connection to units and accessories shown here is for reference only. For detailed information, refer to the specific product guide.

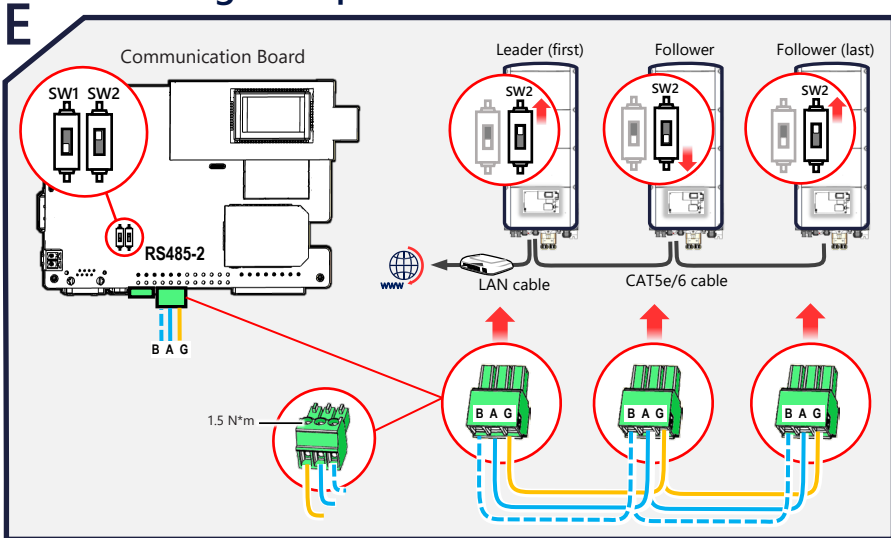
C SolarEdge Home Network Connection



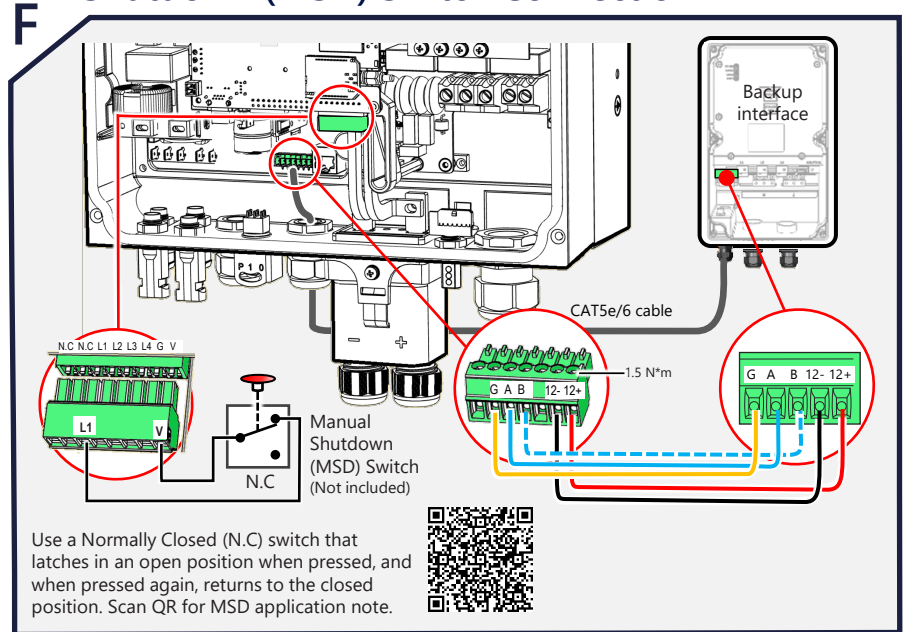
D Battery Connection



E Chaining Multiple Inverters

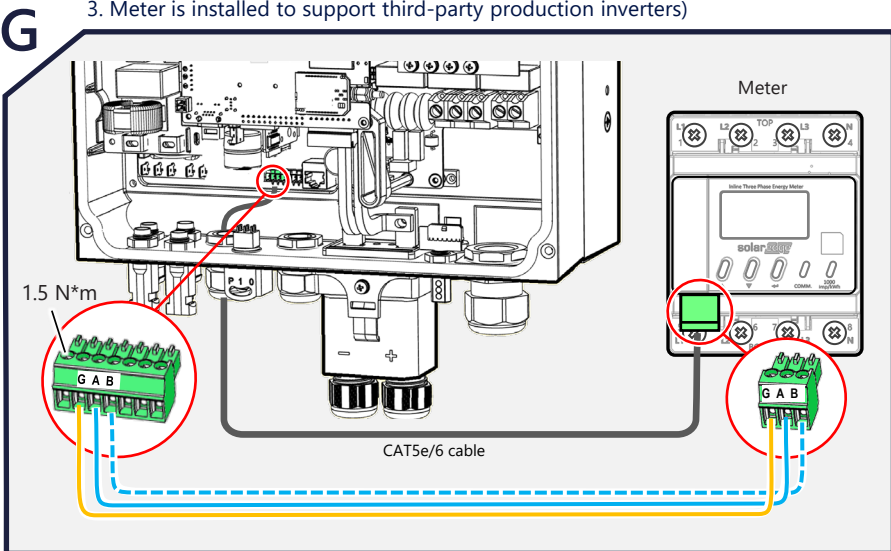


Backup Interface (BUI) and Manual Shutdown (MSD) Switch Connection

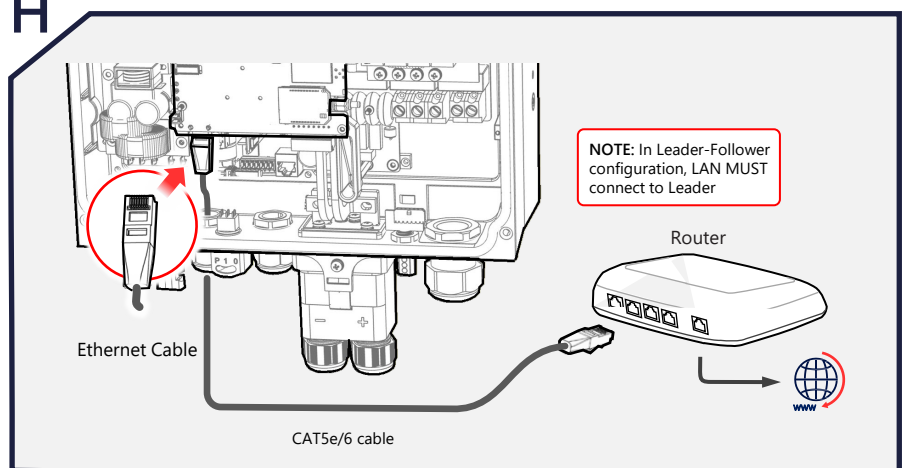


F Meter Connection (Connect Meter ONLY if:

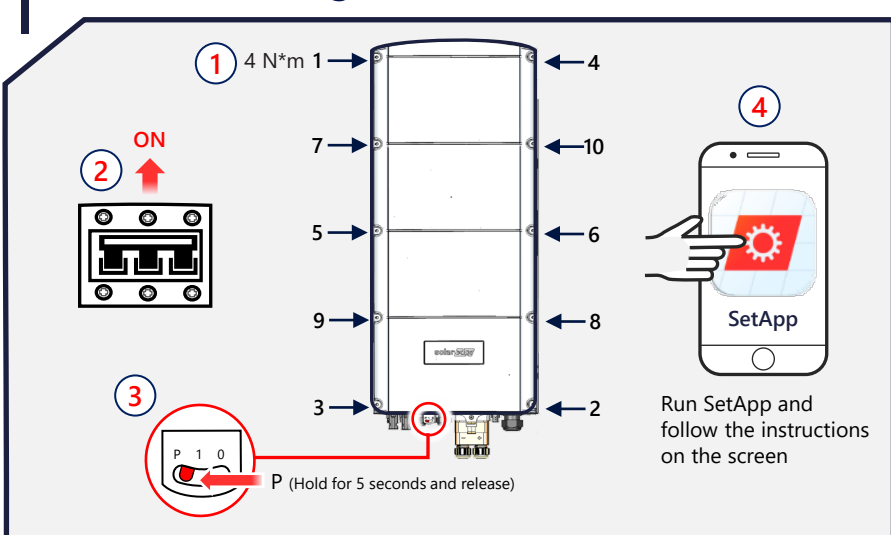
1. BUI not installed - 2. Backup configuration is set to "partial home backup" - 3. Meter is installed to support third-party production inverters)



H LAN Connection



I Commissioning the Inverter



J LED Indications

