

For updates, check:



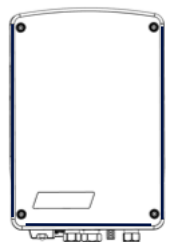
MAN-01-01035-1.1

Support Contact Information

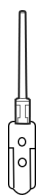
In case of any technical issues with SolarEdge products, please contact us at: <https://www.solaredge.com/service/support>

© SolarEdge Technologies, Ltd.
All rights reserved.
Version: 1.1, June 2023 Subject to change without notice.

What's in the Package



Hot Water Controller



Antenna



Mounting bracket



Mounting bracket locking screws

Required Tools



Drill



Pencil



X 3
Mounting screws and wall plugs



Phillips screwdriver



Flat screwdriver



Level

Supporting devices

Energy Meter with Modbus Connection

<https://www.solaredge.com/sites/default/files/se-energy-meter-with-modbus-quick-installation-guide.pdf>

Inline Energy Meter

<https://www.solaredge.com/sites/default/files/se-inline-energy-meter-qig.pdf>

SolarEdge Home Network Plug-In

<https://www.solaredge.com/sites/default/files/se-energy-net-plug-in-installation-guide.pdf>

Optionally, a temperature sensor may be used to display the water temperature (purchased separately). A third-party P100 sensor may also be used.

https://www.solaredge.com/sites/default/files/se_temperature_sensor_installation_guide.pdf

Application Note

<https://www.solaredge.com/sites/default/files/se-smart-energy-configurations-and-operations-application-note-row.pdf>



Safety and Handling Instructions

- Read this entire document before installing or operating the Hot Water Controller. Failure to do so or to follow any of the instructions or warnings in this document can result in electrical shock, serious injury, or death, or may damage the Hot Water Controller and other property, it can also lead to warranty void.
- Do not discard this document! After installation, keep it adjacent to the Hot Water Controller for future reference!
- Before operating the Hot Water Controller and inverter, ensure that they are properly grounded. The Hot Water Controller must be connected to a grounded, metal, permanent wiring system, or an equipment-grounding conductor must be run with the circuit conductors and connected to the equipment grounding terminal or lead.
- Opening the Hot Water Controller and repairing or testing under power must be performed only by qualified service personnel familiar with the Hot Water Controller.

WARNINGS!



This symbol on the product or in the accompanying documentation denotes a hazard. It calls attention to a procedure that, if not correctly performed or adhered to, could result in injury or loss of life. Do not proceed beyond a warning note until the indicated conditions are fully understood and met.



CAUTION!

Denotes a hazard. It calls attention to a procedure that, if not correctly performed or adhered to, could result in damage or destruction of the product. Do not proceed beyond a caution sign until the indicated conditions are fully understood and met.



DANGER!

Before opening the covers and connecting the grid, please make sure that the main CB and the Inverters are OFF.

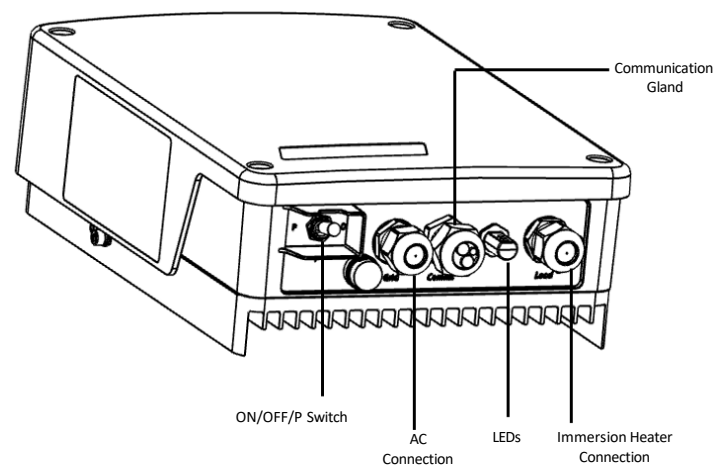
Hot Water Controller Installation Safety

CAUTIONS!

- To avoid damage to electrical equipment, connect only purely resistive loads/ appliances to the SolarEdge Home Hot Water Controller.
- This product must be operated under the specified operating specifications, as described in the latest technical specification data sheet. This product must be used with Immersion Heaters that include a thermostat that shuts off the power when reaching the required temperature.
- Configure the product so that the load connected is not switched on or off more frequently than specified by the load manufacturer.
- Do not connect loads that require a continuous current supply (e.g., fridge, freezer).
- Do not use the product if it is damaged or malfunctioning.
- Never connect loads that can cause injuries or fire if they are switched on unintentionally (e.g., an iron).
- Do not let the product come into contact with water or other liquids.
- The enclosed documentation is an integral part of this product. Keep the documentation in a convenient place for future reference and observe all instructions contained therein.

Note: It is recommended to install a 2-pole magneto-thermal switch breaker between the AC cables coming from the mains and the AC cables going to the Immersion Heater.

Hot Water Controller Interfaces

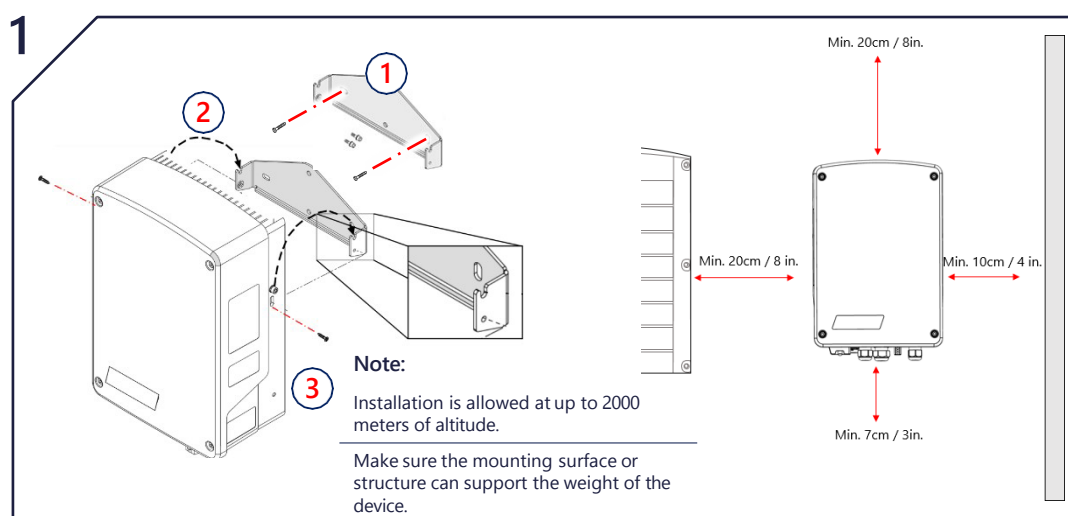


ON/OFF/P Switch: ON (1) – start, OFF (0) – power off, P –perform the following functions:

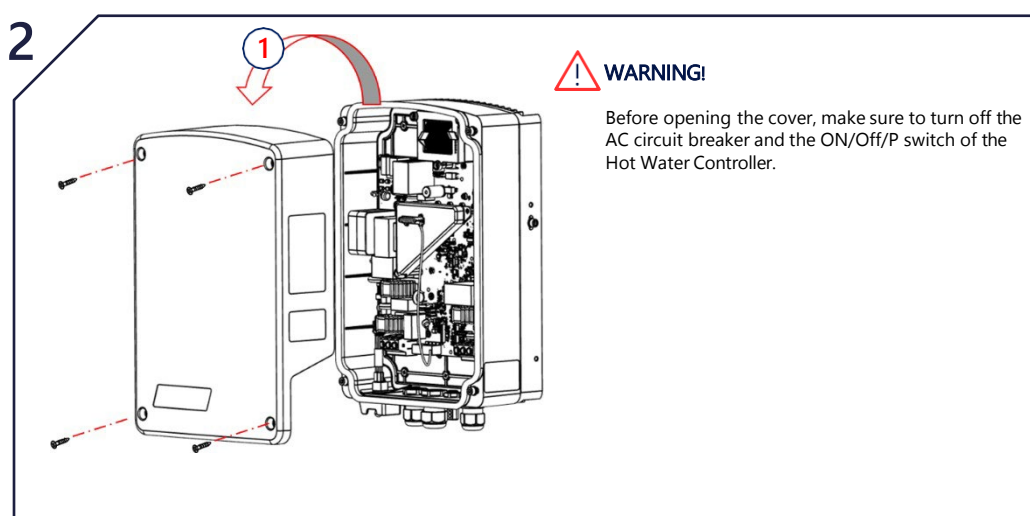
- Move the switch to P for < 3s: Boost mode on/ off.
- Move the switch to P for > 10s: Factory reset - disconnects the device from the inverter. After reset, association with the inverter is required.

LEDs – see overleaf.

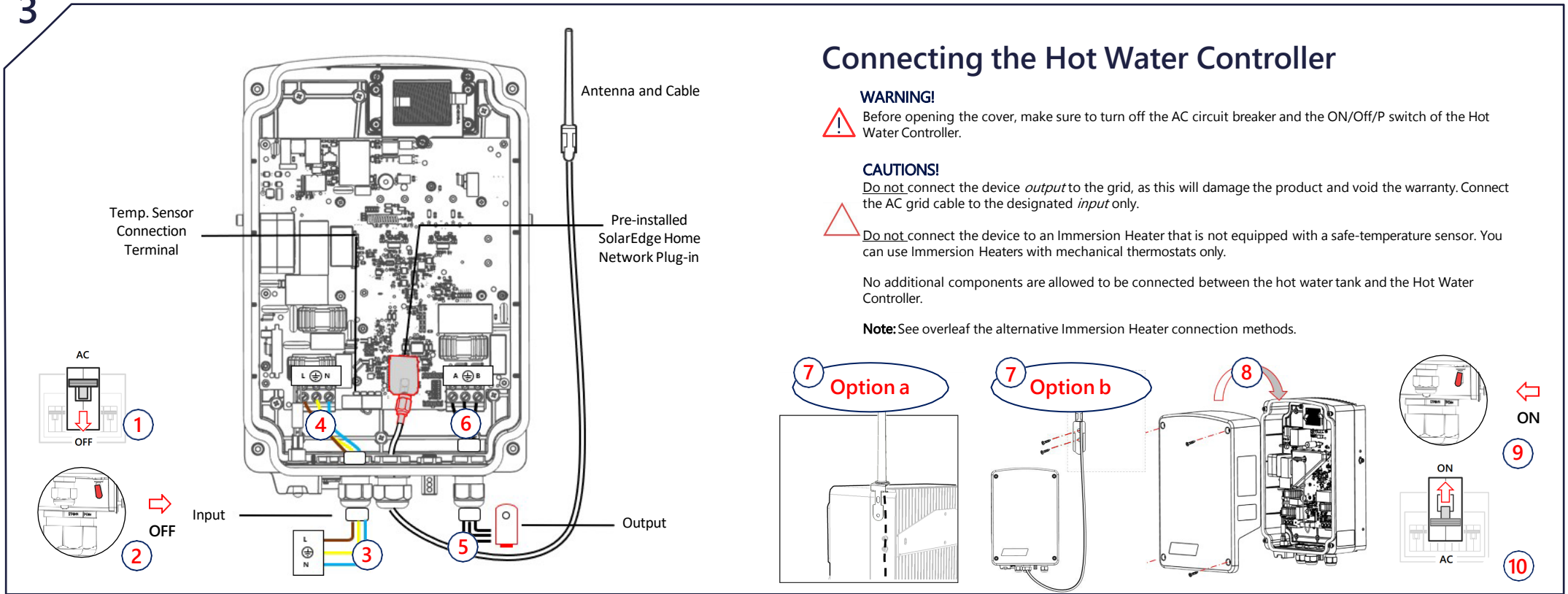
Mounting and Clearance



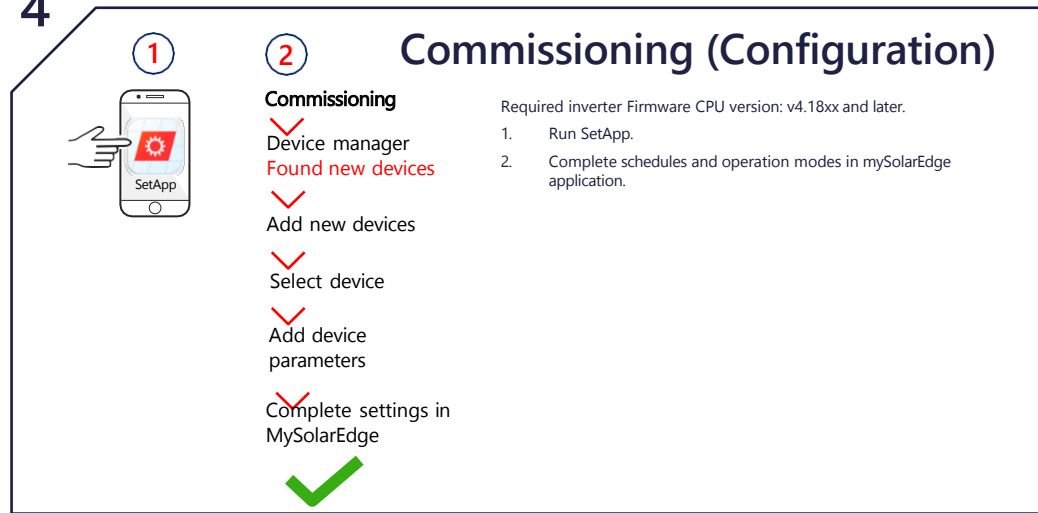
Removing the covers



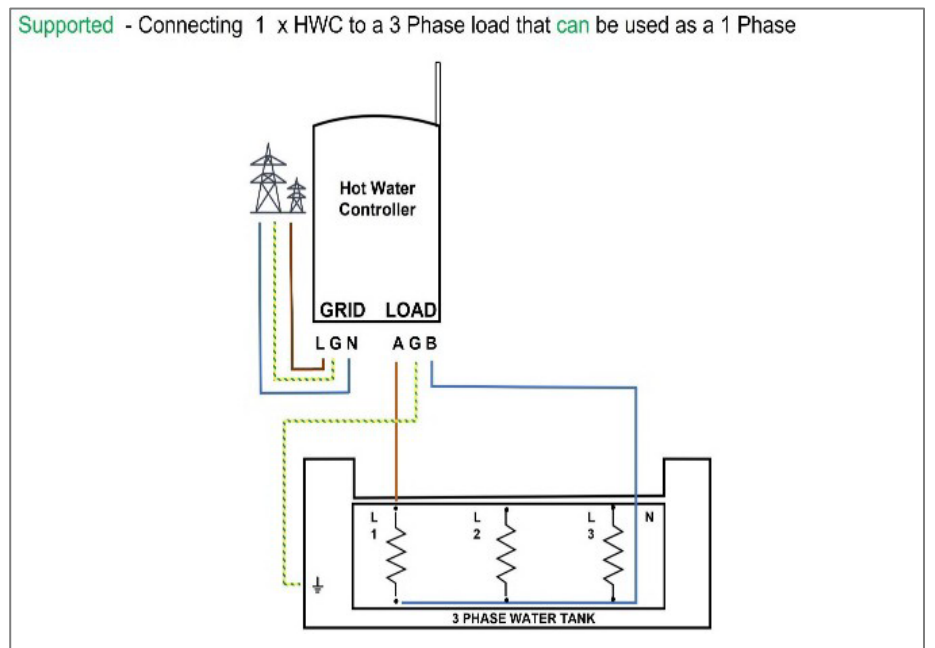
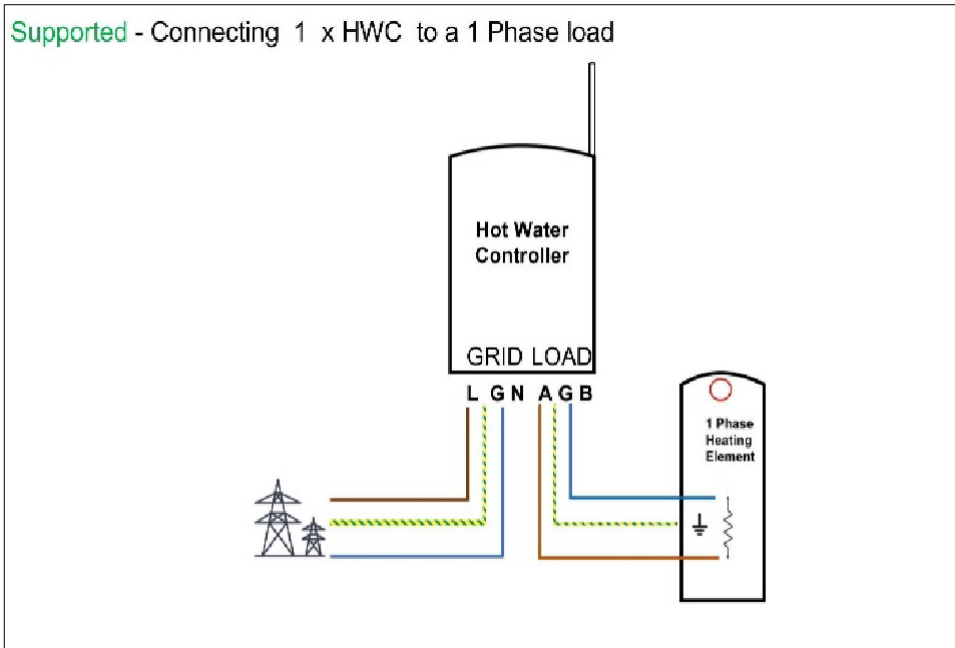
3



4



Supported connection methods



LED Indications

All LEDs	Power	Communication	Fault
ON <ul style="list-style-type: none"> • Boot/Reset OFF <ul style="list-style-type: none"> • Not Powered 	ON <ul style="list-style-type: none"> • Delivering power to the immersion heater • During Boot/Reset OFF <ul style="list-style-type: none"> • Not powered Flickering <ul style="list-style-type: none"> • No power is delivered to the immersion heater 	ON <ul style="list-style-type: none"> • Connected to Home Network • Boot/Reset Blinking <ul style="list-style-type: none"> • Scanning for network or connection with Home Network is lost Blinking for 30 seconds <ul style="list-style-type: none"> • Received request for identification 	ON <ul style="list-style-type: none"> • Fault • During Boot/Reset OFF <ul style="list-style-type: none"> • No faults

Note: Flickering: 100mSON, 5 Sec OFF

