

SolarEdge P-5 Series Power Optimizers Grounding Using a Grounding Terminal

Power optimizers that are available for North America (part numbers: Pxxx-2N and Pxxx-5N) must be grounded.

When the power optimizer is mounted on a *grounded* structure, equipment grounding is done using the washers supplied with the optimizers (refer to the *SolarEdge Installation Guide*).

When the power optimizer is mounted on an *un-grounded structure*, such as a wooden structure, grounding terminals (kit part number: SE-GNDLUG5-100, 100 terminals in one kit) are used to create equipment grounding. .

→ **To establish equipment grounding:**

1. When installing the power optimizer, attach a grounding terminal to each power optimizer (see Figure 1).
2. Connect an equipment-grounding conductor to the grounding terminal. The grounding terminal accepts a wire size of 6-14 AWG and must be sized for equipment per NEC 250.122.
3. Tighten the screw connecting the power optimizer to the rack with a torque of 9.5 N*m / 7 lb*ft.

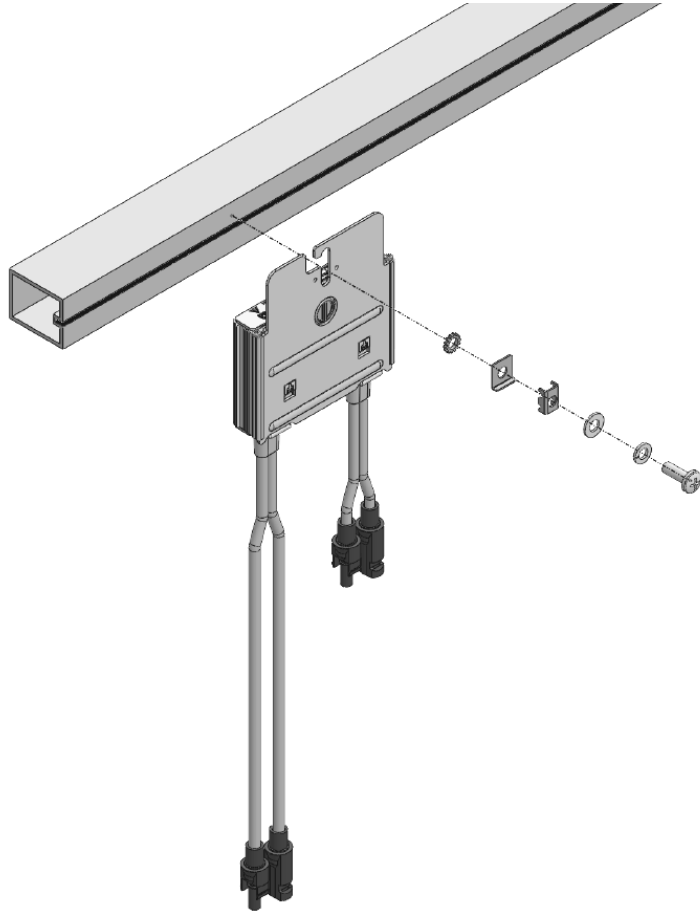


Figure 1: Grounding a power optimizer using the grounding terminal kit